

HOBBS

Vertical ICF Wall System

Go Engineered.

Go Easy.

Go Green.

Stucco Ready Design Technical Drawings

Toll free: 866-904-9255

info@hobbsverticalicf.com / www.hobbsverticalicf.com

TABLE OF CONTENTS

SR-0.00	COVER PAGE
SR-0.01	TABLE OF CONTENTS
SR-0.02	TABLE OF CONTENTS
SR-0.03	LEGEND
SR-10.00	PLAN VIEW - WALL LAYOUT EXAMPLE
SR-10.01	FURRING ASSEMBLY - DETAILS
SR-10.02	RETAINER CLIP DETAILS
SR-20.00	STUCCO READY FOAM PANEL - DETAILS
SR-20.01	FLATWALL FOAM PANEL - DETAILS
SR-20.02	SINGLE TAPER TOP
SR-20.03	DOUBLE TAPER TOP
SR-20.04	SINGLE FLATWALL TAPER TOP
SR-20.05	DOUBLE FLATWALL TAPER TOP
SR-30.00	ASSEMBLED FORM ELEVATION - FOUNDATION ONLY
SR-30.01	ASSEMBLED FORM - SECTIONS J & K
SR-30.02	ASSEMBLED FORM - SECTIONS F,G,H, & I
SR-30.03	ASSEMBLED FORM - SECTIONS J & K
SR-40.00	CONCRETE STRUCTURE CUT-AWAY ELEVATION - FOUNDATION ONLY
SR-40.01	CONCRETE STRUCTURE CUT-AWAY ELEVATION - MULTI LEVEL
SR-40.02	CONCRETE SECTIONS A,B,C & D - WITHOUT FORMS
SR-40.03	CONCRETE SECTIONS E & F - WITHOUT FORMS
SR-40.04	STEPPED FOOTING
SR-50.00	FOUNDATION ONLY WALL SECTION @ COLUMN
SR-50.01	FOUNDATION ONLY WALL SECTION @ COLUMN - DETAIL "A"
SR-50.02	MULTILEVEL WITH ICF HANGERS
SR-50.03	STACKED ICFS WITH ICF HANGERS
SR-50.05	STACKED ICFS WITH SUSPENDED SLAB @ WEB
SR-50.06	STACKED ICFS WITH SUSPENDED SLAB @ COLUMN
SR-50.09	BEAM POCKET AT COLUMN
SR-50.12	TRUSS TO ICF CONNECTION OPTION A
SR-50.13	TRUSS TO ICF CONNECTION OPTION B
SR-50.14	SLAB ON GRADE AT COLUMN

TIP: We recommend you watch the slideshow at www.hobbsverticalicf.com before viewing these documents



Vertical ICF Wall System

Tell: (515) 473-9255
 Fax: (515) 974-4399
 Toll free: 866-904-9255

All drawings and details shall be constructed in accordance with the local building code regulations, project engineering, and construction practices.

Design contained herein are protected by copyright, recipient acknowledges contents are property of Hobbs Building Systems, LLC., and shall be used only for construction purposes and not copied, used or reproduced, for any other purposes or projects without written permission from Hobbs Building Systems, LLC. all rights reserved. Hobbs Building Systems, LLC. 2009. Hobbs Building Systems, LLC reserves the right to make changes to the drawings/information shown without notice.

STUCCO READY DESIGN

COVER PAGE #1

Date: 05/08/2009	Drawn By: S.K.V.	Scale: N.T.S.
Revision #: 3	DWG #: SR-00.01	
Revision Date: 02/26/2010		

TABLE OF CONTENTS

SR-70.00	TYPICAL DOOR DETAIL
SR-70.01	TYPICAL WINDOW DETAIL
SR-70.02	STACKED ICF AT WINDOW OPENINGS
SR-100.00	90° CORNER DETAIL - PLAN VIEW
SR-100.01	45° CORNER DETAIL - PLAN VIEW
SR-100.02	70° CORNER DETAIL - PLAN VIEW
SR-100.03	4" OFFSET CORNER DETAIL - PLAN VIEW
SR-100.04	12" OFFSET CORNER DETAIL - PLAN VIEW
SR-100.05	TEE WALL DETAIL - PLAN VIEW
SR-100.06	FLATWALL WALL DETAIL - PLAN VIEW
SR-100.07	FULL HEIGHT INTERIOR PILASTER
SR-100.08	SHORT EXTERIOR BUTTRUSS

TIP: We recommend you watch the slideshow at www.hobbsverticalicf.com before viewing these documents



Vertical ICF Wall System

Tell: (515) 473-9255
 Fax: (515) 974-4399
 Toll free: 866-904-9255

All drawings and details shall be constructed in accordance with the local building code regulations, project engineering, and construction practices.

Design contained herein are protected by copyright, recipient acknowledges contents are property of Hobbs Building Systems, LLC., and shall be used only for construction purposes and not copied, used or reproduced, for any other purposes or projects without written permission from Hobbs Building Systems, LLC. 2009, Hobbs Building Systems, LLC reserves the right to make changes to the drawings/information shown without notice.

STUCCO READY DESIGN

COVER PAGE #2

Date: 05/08/2009	Drawn By: S.K.V.	Scale: N.T.S.
Revision #: 3	DWG #: SR-00.02	
Revision Date: 02/26/2010		

LEGEND

FOAM PANEL PARTS (FP)

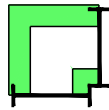
- FP-SC = STANDARD CONTOUR FOAM PANEL
- FP-SC-SR = STANDARD CONTOUR - STUCCO READY FOAM PANEL
- FP-FW = FOAM PANEL FLAT WALL
- FP-TW = TEE WALL FOAM PANEL
- FP-TW-SR = TEE WALL - STUCCO READY FOAM PANEL
- FP-OC = OUTSIDE CORNER FOAM PART
- FP-OC-SR = OUTSIDE CORNER FOAM PART STUCCO READY FOAM PANEL
- FP-OC-OS OUTSIDE CORNER - OFFSET FOAM PART
- FP-OC-SR-OS OUTSIDE CORNER - STUCCO READY - OFFSET FOAM PART
- FP-IC INSIDE CORNER FOAM PART

FURRING ASSEMBLY & ACCESSORIES (FA)

- FA-ST = FURRING ASSEMBLY
- FA-RC = RETAINER CLIP
- FA-AB = ANGLE BASE
- FA-OC-M = OUTSIDE CORNER METAL
- FA-IC-M = INSIDE CORNER METAL
- FA-OS-M = OFFSET CORNER METAL



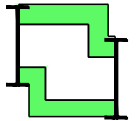
EXAMPLE:
COMPONENTS REQUIRED TO MAKE
A 90 deg. CORNER ASSEMBLY



Qty.	DESCRIPTION	ITEM #
1	Outside Corner Foam Panel.	FP-OC-SR-90-9.00*
1	Inside Corner Foam Panel.	FP-IC-90-9.00*
1	Outside Corner Metal.	FA-OC-SR-M-90-9.00*
1	Inside Corner Metal.	FA-IC-M-90-9.00*
2	Furring Assembly.	FA-ST-9.00*
8	Retainer Clips.	FA-RC

* Example of 9' wall.

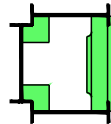
EXAMPLE:
COMPONENTS REQUIRED TO MAKE
A 4" OFFSET CORNER ASSEMBLY



Qty.	DESCRIPTION	ITEM #
1	Outside Corner Foam Panel.	FA-OC-M-90-4OS-9.00*
1	Outside Corner Foam Panel.	FA-IC-M-90-4OS-9.00*
1	Outside Corner Foam Panel.	FP-OC-90-4OS-9.00*
1	Outside Corner Metal.	FA-OC-90-4OS-9.00*
2	Furring Assembly.	FA-ST-9.00*
8	Retainer Clips.	FA-RC

* Example of 9' wall.

EXAMPLE:
COMPONENTS REQUIRED TO MAKE
A TEE WALL ASSEMBLY



Qty.	DESCRIPTION	ITEM #
1	Tee Wall Foam Panel	FP-TW-SR-9.00*
2	Inside Corner Foam Panels.	FP-IC-90-9.00*
2	Inside Corner Metal.	FA-IC-M-90-9.00*
3	Furring Assemblies.	FA-ST-9.00*
12	Retainer Clips.	FA-RC

* Example of 9' wall.

EXAMPLE:
COMPONENTS REQUIRED TO MAKE
A 45 deg. CORNER ASSEMBLY



Qty.	DESCRIPTION	ITEM #
1	Outside Corner Foam Panel.	FP-OC-SR-45-9.00*
1	Inside Corner Foam Panel.	FP-IC-45-9.00*
1	Outside Corner Metal.	FA-OC-SR-M-45-9.00*
1	Inside Corner Metal.	FA-IC-M-45-9.00*
2	Furring Assembly.	FA-ST-9.00*
8	Retainer Clips.	FA-RC

* Example of 9' wall.



Vertical ICF Wall System

Tell: (515) 473-9255
Fax: (515) 974-4399
Toll free: 866-904-9255

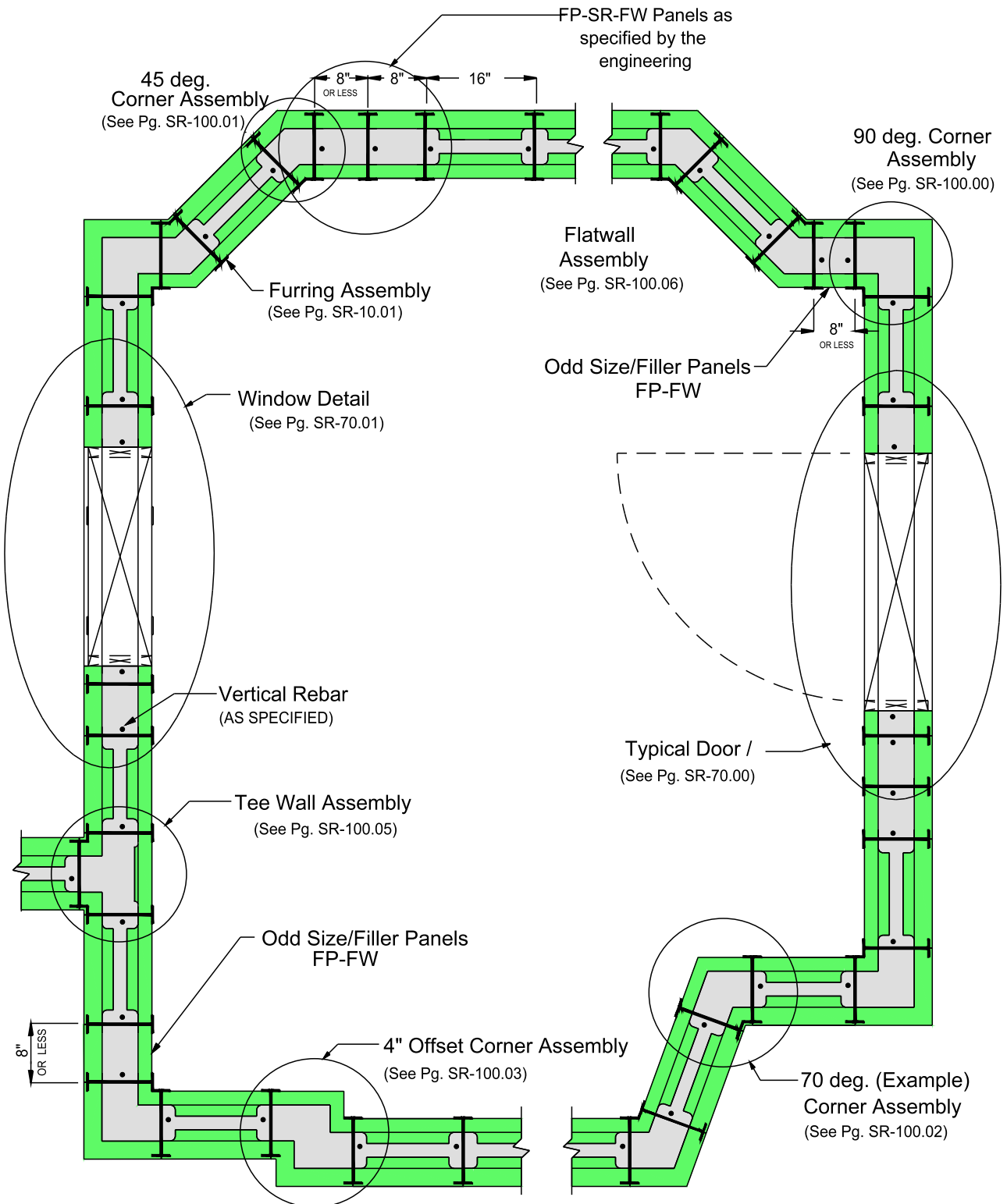
All drawings and details shall be constructed in accordance with the local building code regulations, project engineering, and construction practices.

Design contained herein are protected by copyright, recipient acknowledges contents are property of Hobbs Building Systems, LLC, and shall be used only for construction purposes and not copied, used or reproduced, for any other purposes or projects without written permission from Hobbs Building Systems, LLC. all rights reserved. Hobbs Building Systems, LLC. 2009. Hobbs Building Systems, LLC reserves the right to make changes to the drawings/information shown without notice.

STUCCO READY DESIGN

LEGEND

Date: 05/08/2009	Drawn By: S.K.V.	Scale: N.T.S.
Revision #: 3	DWG #: SR-00.03	
Revision Date: 02/10/2010		



NOTE: "DRAWINGS ARE EXAMPLES ONLY. REFER TO PROJECT ENGINEERING FOR EXACT SPECIFICATIONS, SUCH AS, REBAR SIZE AND PLACEMENT LOCATIONS"



Vertical ICF Wall System

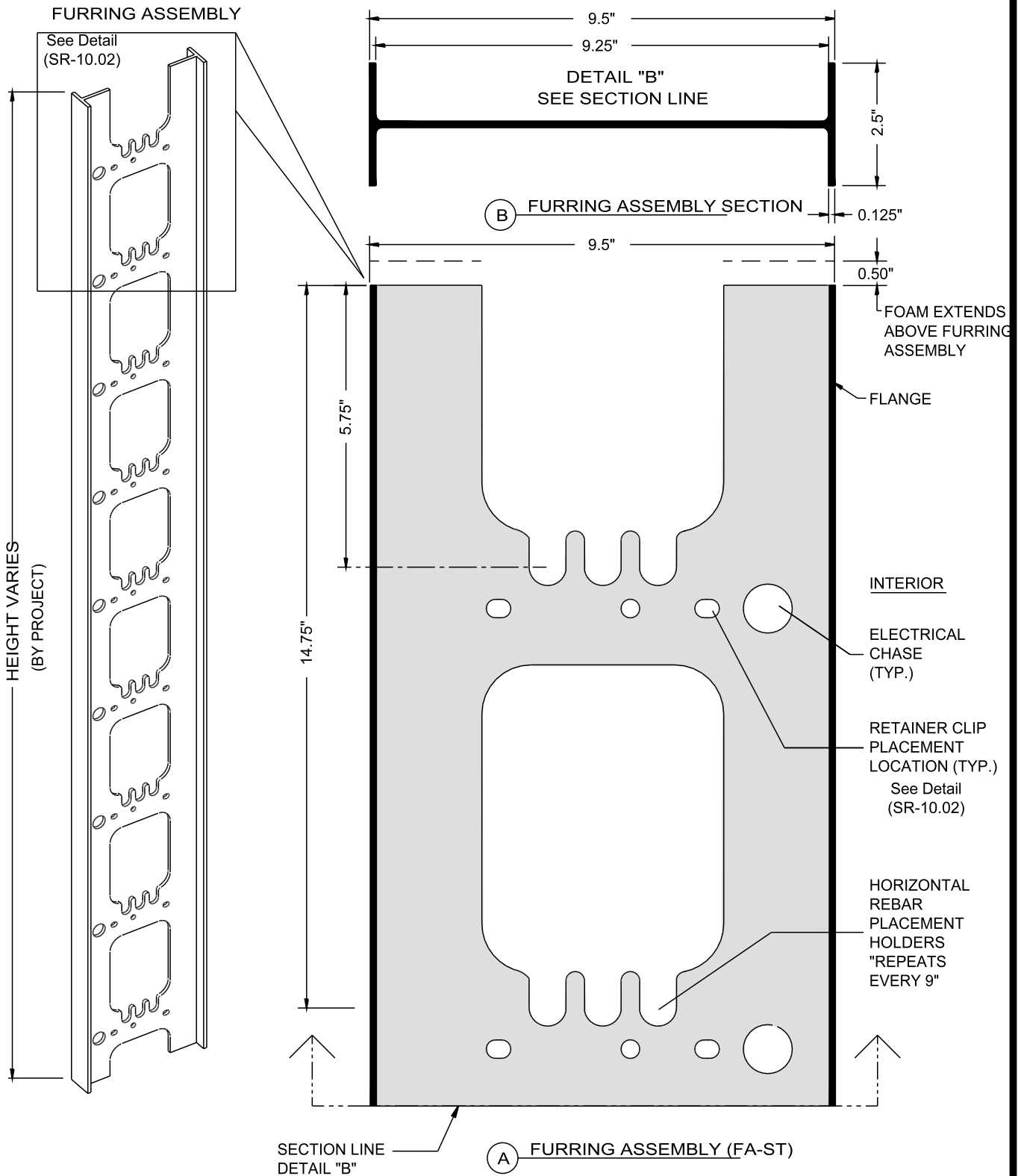
Tell: (515) 473-9255
Fax: (515) 974-4399
Toll free: 866-904-9255

All drawings and details shall be constructed in accordance with the local building code regulations, project engineering, and construction practices.

Design contained herein are protected by copyright, recipient acknowledges contents are property of Hobbs Building Systems, LLC, and shall be used only for construction purposes and not copied, used or reproduced, for any other purposes or projects without written permission from Hobbs Building Systems, LLC. all rights reserved. Hobbs Building Systems, LLC. 2009. Hobbs Building Systems, LLC reserves the right to make changes to the drawings/information shown without notice.

STUCCO READY DESIGN
PLAN VIEW
- WALL LAYOUT EXAMPLE

Date: 05/08/2009	Drawn By: S.K.V.	Scale: N.T.S.
Revision #: 3	DWG #: SR-10.00	
Revision Date: 02/15/2010		



Vertical ICF Wall System

Tell: (515) 473-9255

Fax: (515) 974-4399

Toll free: 866-904-9255

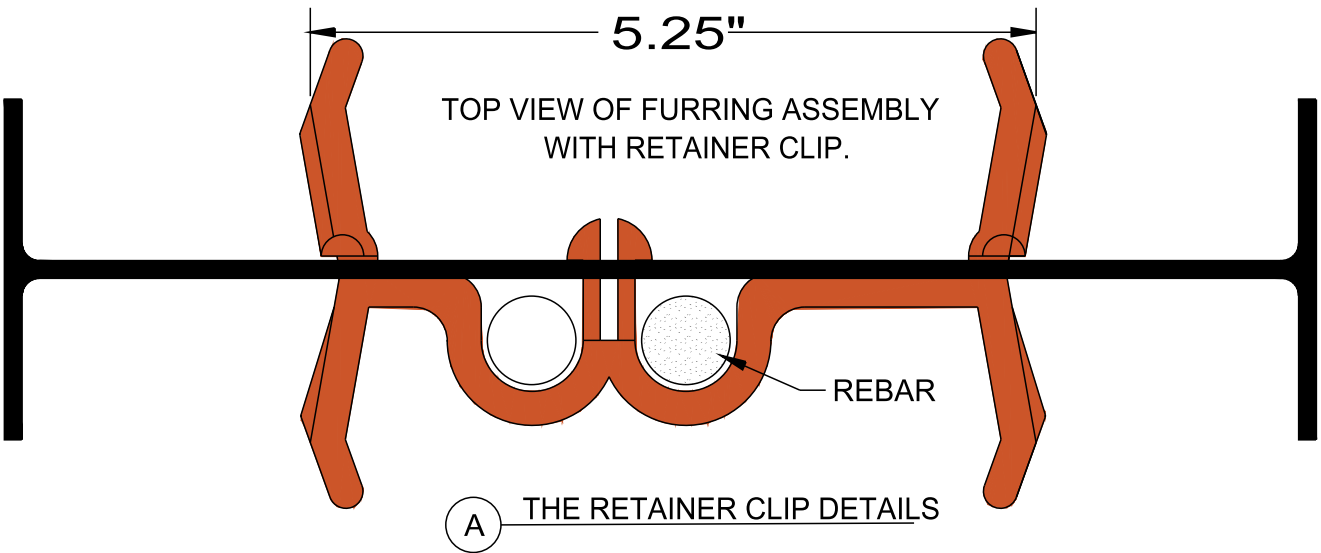
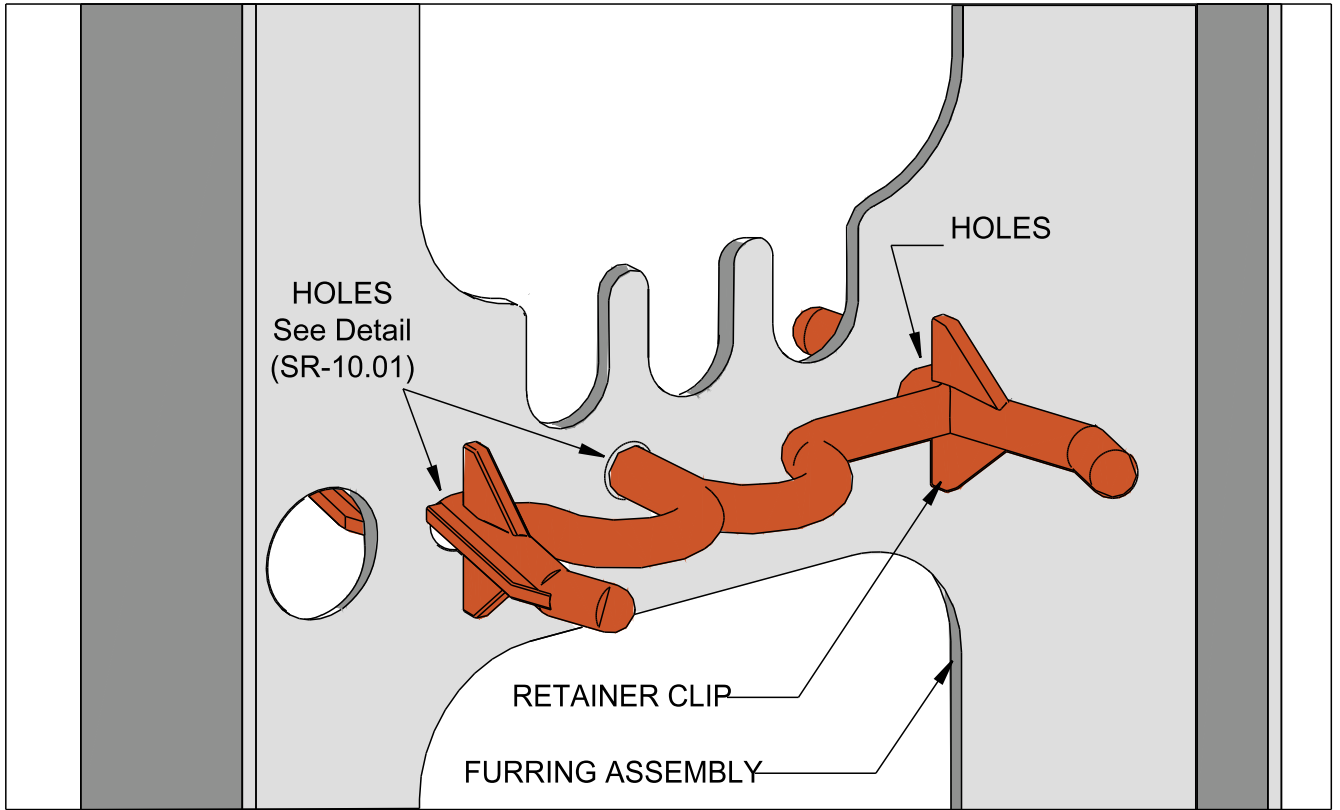
All drawings and details shall be constructed in accordance with the local building code regulations, project engineering, and construction practices.

Design contained herein are protected by copyright, recipient acknowledges contents are property of Hobbs Building Systems, LLC., and shall be used only for construction purposes and not copied, used or reproduced, for any other purposes or projects without written permission from Hobbs Building Systems, LLC. all rights reserved. Hobbs Building Systems, LLC. 2009. Hobbs Building Systems, LLC reserves the right to make changes to the drawings/information shown without notice.

STUCCO READY DESIGN

FURRING ASSEMBLY
- DETAILS

Date: 05/08/2009	Drawn By: S.K.V.	Scale: N.T.S.
Revision #: 2	DWG #:	
Revision Date: 01/11/2010	SR-10.01	



NOTE: RETAINER CLIPS ARE USED TO LOCATE & HOLD VERTICAL REBAR & FOAM PANELS IN POSITION. ONLY 2 ARE REQUIRED FOR EACH FURRING ASSEMBLY, ONE NEAR THE TOP & ONE NEAR THE BOTTOM.



Vertical ICF Wall System

Tell: (515) 473-9255

Fax: (515) 974-4399

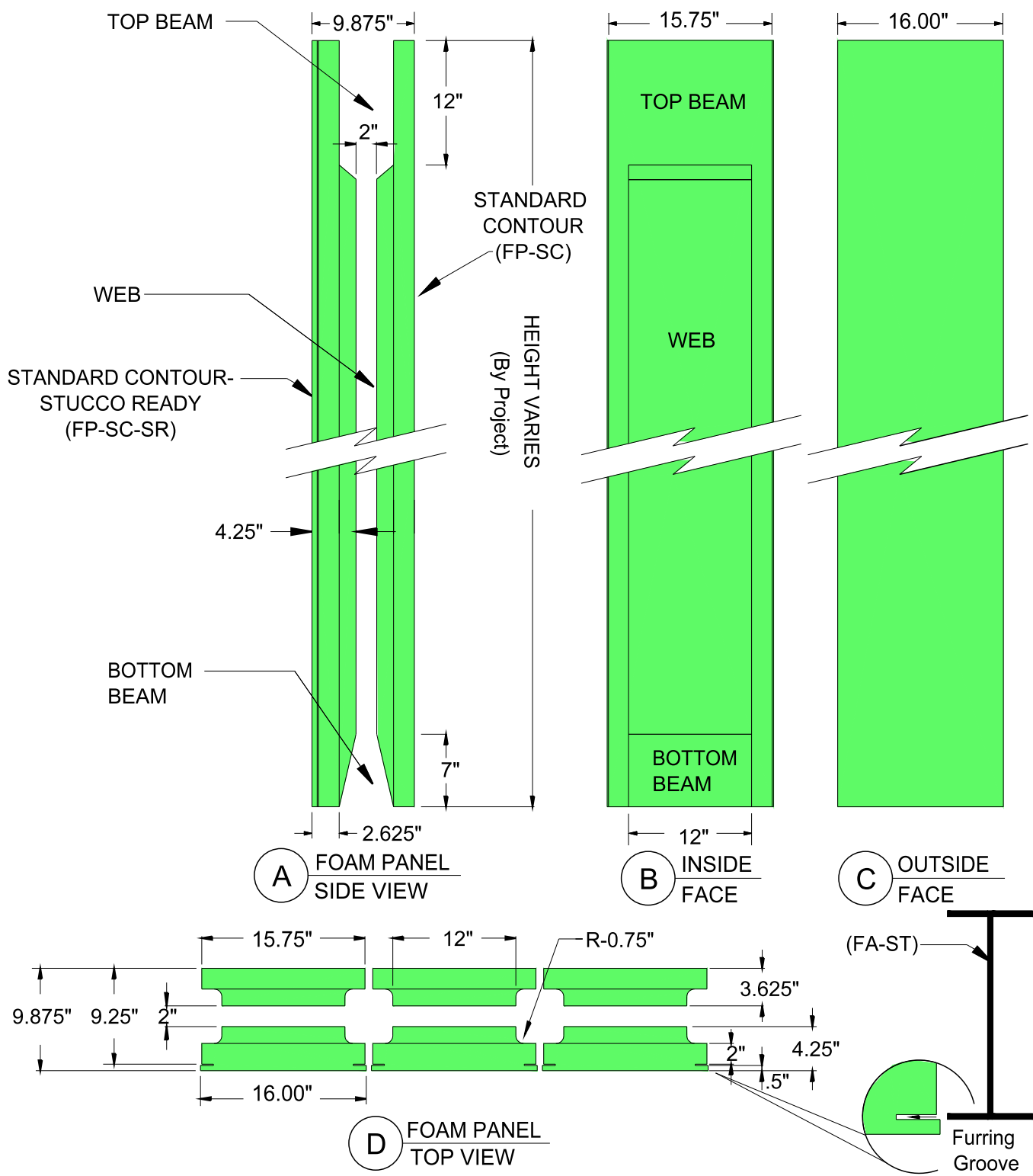
Toll free: 866-904-9255

All drawings and details shall be constructed in accordance with the local building code regulations, project engineering, and construction practices.

Design contained herein are protected by copyright, recipient acknowledges contents are property of Hobbs Building Systems, LLC., and shall be used only for construction purposes and not copied, used or reproduced, for any other purposes or projects without written permission from Hobbs Building Systems, LLC. all rights reserved. Hobbs Building Systems, LLC. 2009. Hobbs Building Systems, LLC reserves the right to make changes to the drawings/information shown without notice.

STUCCO READY DESIGN
RETAINER CLIP
DETAILS

Date: 05/08/2009	Drawn By: S.K.V.	Scale: N.T.S.
Revision #: 2	DWG #: SR-10.02	
Revision Date: 01/11/2010		



HOBBS

Vertical ICF Wall System

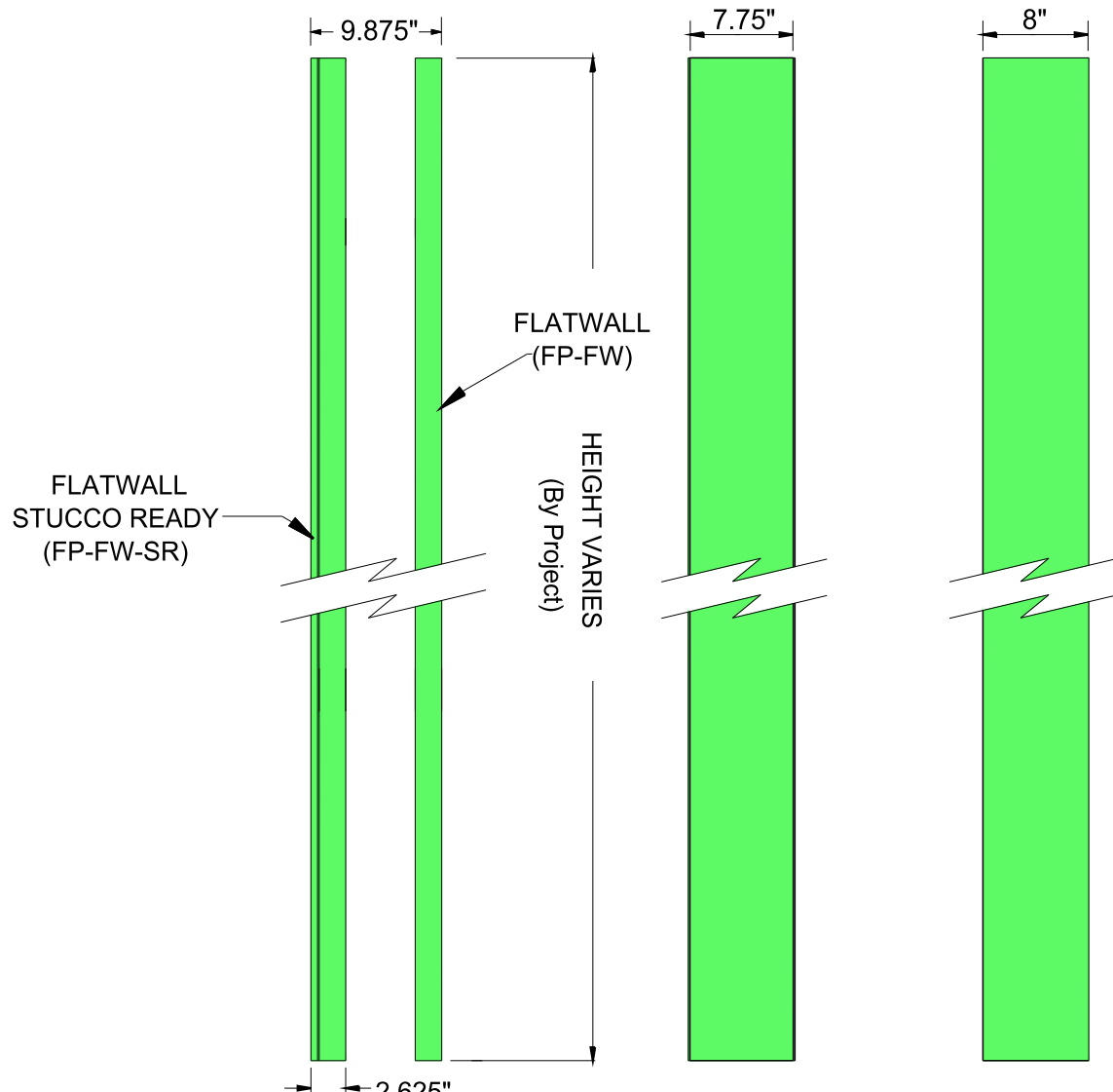
Tell: (515) 473-9255
 Fax: (515) 974-4399
 Toll free: 866-904-9255

All drawings and details shall be constructed in accordance with the local building code regulations, project engineering, and construction practices.

Design contained herein are protected by copyright, recipient acknowledges contents are property of Hobbs Building Systems, LLC., and shall be used only for construction purposes and not copied, used or reproduced, for any other purposes or projects without written permission from Hobbs Building Systems, LLC. 2009. Hobbs Building Systems, LLC reserves the right to make changes to the drawings/information shown without notice.

STUCCO READY DESIGN
STANDARD CONTOUR
FOAM PANEL - DETAILS

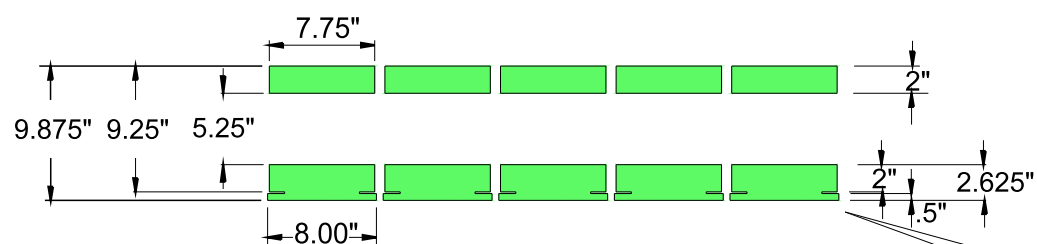
Date: 05/08/2009	Drawn By: S.K.V.	Scale: N.T.S.
Revision #: 2	DWG #: SR-20.00	
Revision Date: 12/02/2009		



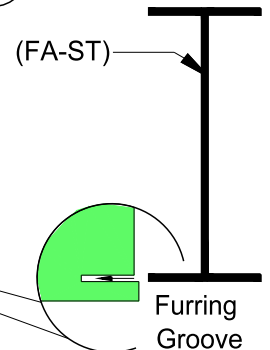
A FOAM PANEL SIDE VIEW

B INSIDE FACE

C OUTSIDE FACE



D FOAM PANEL TOP VIEW



HOBBS

Vertical ICF Wall System

Tell: (515) 473-9255
 Fax: (515) 974-4399
 Toll free: 866-904-9255

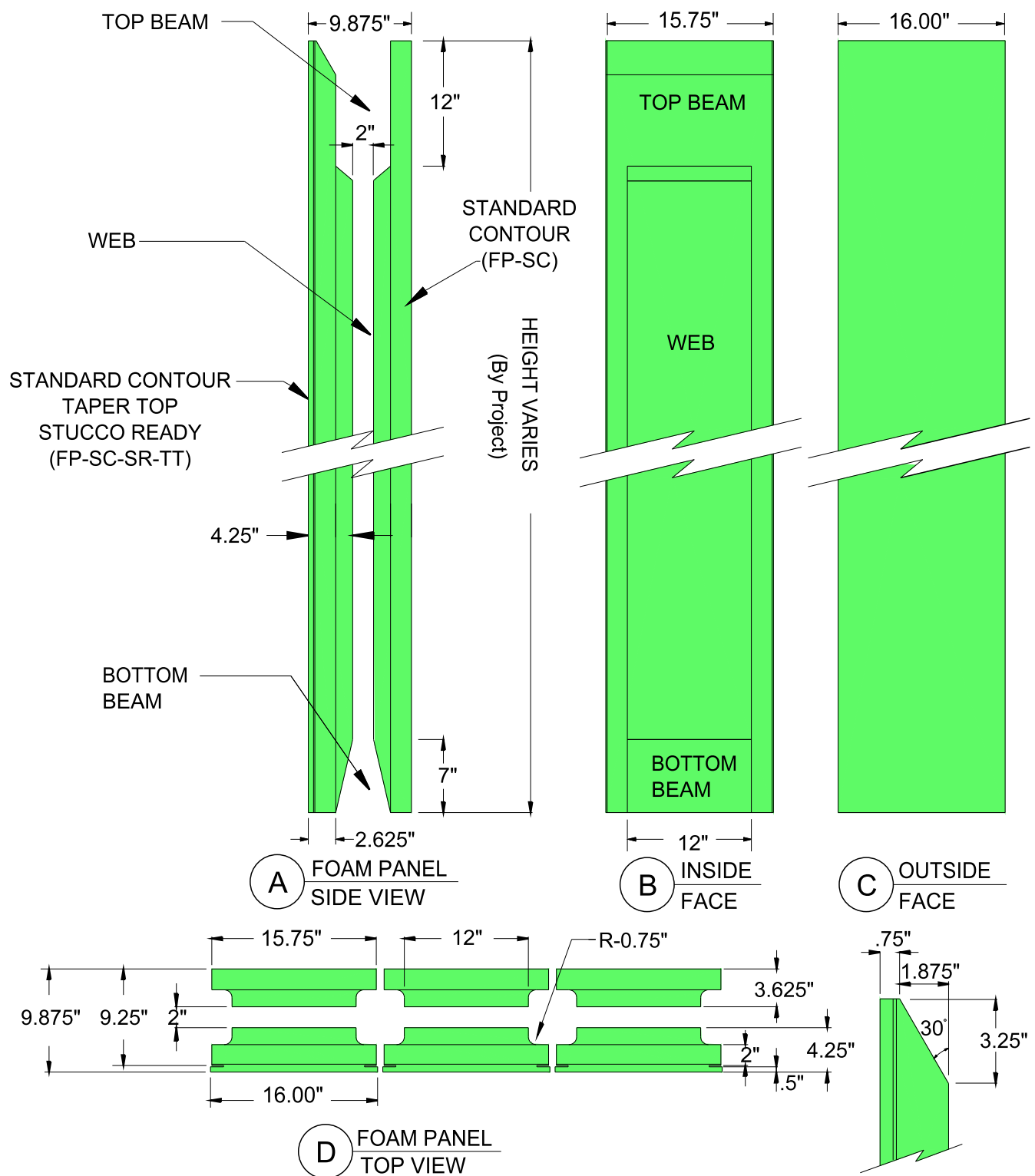
All drawings and details shall be constructed in accordance with the local building code regulations, project engineering, and construction practices.

Design contained herein are protected by copyright, recipient acknowledges contents are property of Hobbs Building Systems, LLC., and shall be used only for construction purposes and not copied, used or reproduced, for any other purposes or projects without written permission from Hobbs Building Systems, LLC. all rights reserved. Hobbs Building Systems, LLC. 2009. Hobbs Building Systems, LLC reserves the right to make changes to the drawings/information shown without notice.

STUCCO READY DESIGN

FLATWALL
 FOAM PANEL - DETAILS

Date: 05/08/2009	Drawn By: S.K.V.	Scale: N.T.S.
Revision #: 3	DWG #: SR-20.01	
Revision Date: 02/10/2010		



Vertical ICF Wall System

Tell: (515) 473-9255
 Fax: (515) 974-4399
 Toll free: 866-904-9255

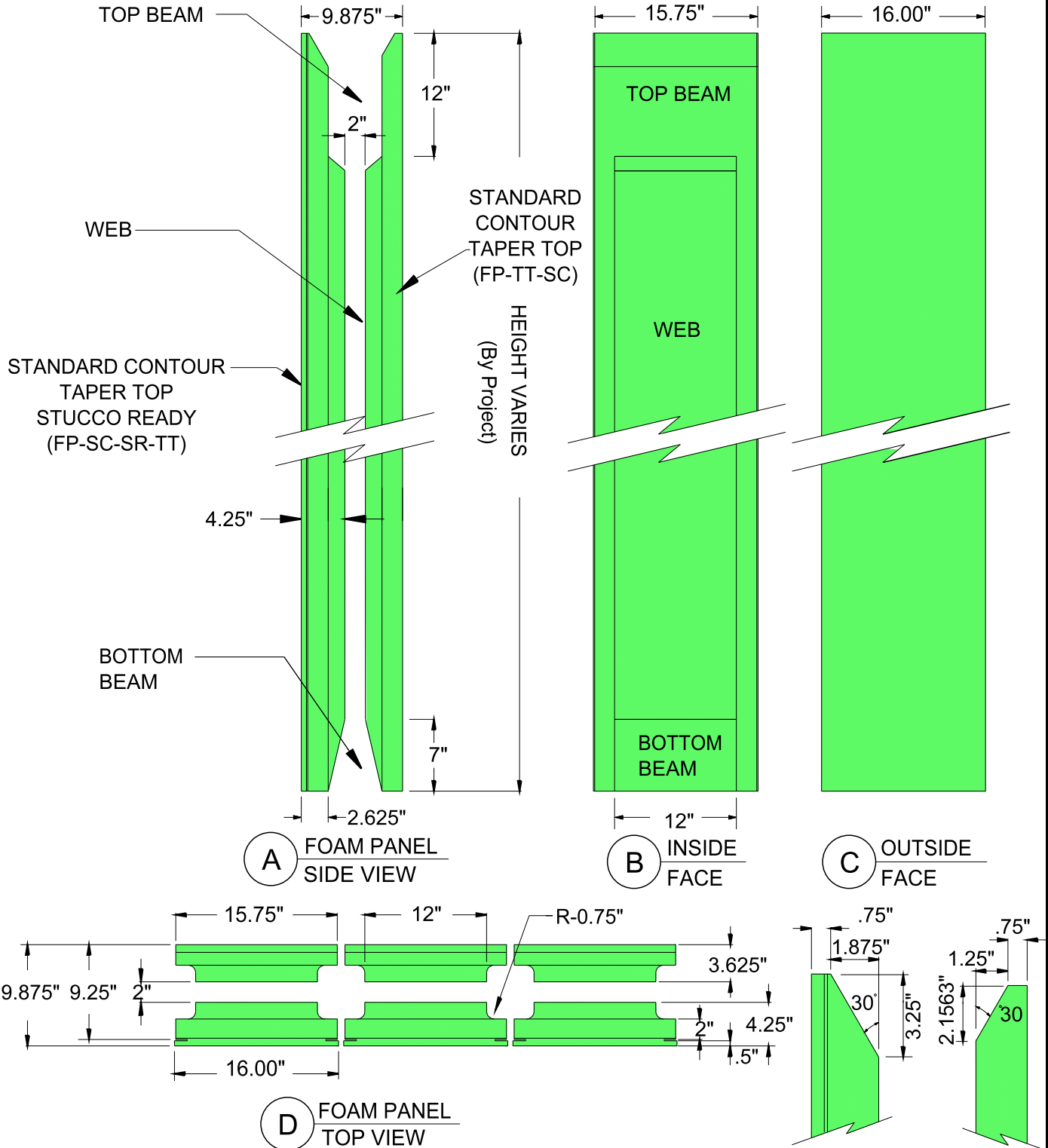
All drawings and details shall be constructed in accordance with the local building code regulations, project engineering, and construction practices.

Design contained herein are protected by copyright, recipient acknowledges contents are property of Hobbs Building Systems, LLC., and shall be used only for construction purposes and not copied, used or reproduced, for any other purposes or projects without written permission from Hobbs Building Systems, LLC. all rights reserved. Hobbs Building Systems, LLC. 2009. Hobbs Building Systems, LLC reserves the right to make changes to the drawings/information shown without notice.

STUCCO READY DESIGN

STANDARD CONTOUR
 FOAM PANEL - TAPER TOP - DETAILS

Date: 01/25/2010	Drawn By: S.K.V.	Scale: N.T.S.
Revision #: 1	DWG #: SR-20.02	
Revision Date: 02/18/2010		



Vertical ICF Wall System

Tell: (515) 473-9255
 Fax: (515) 974-4399
 Toll free: 866-904-9255

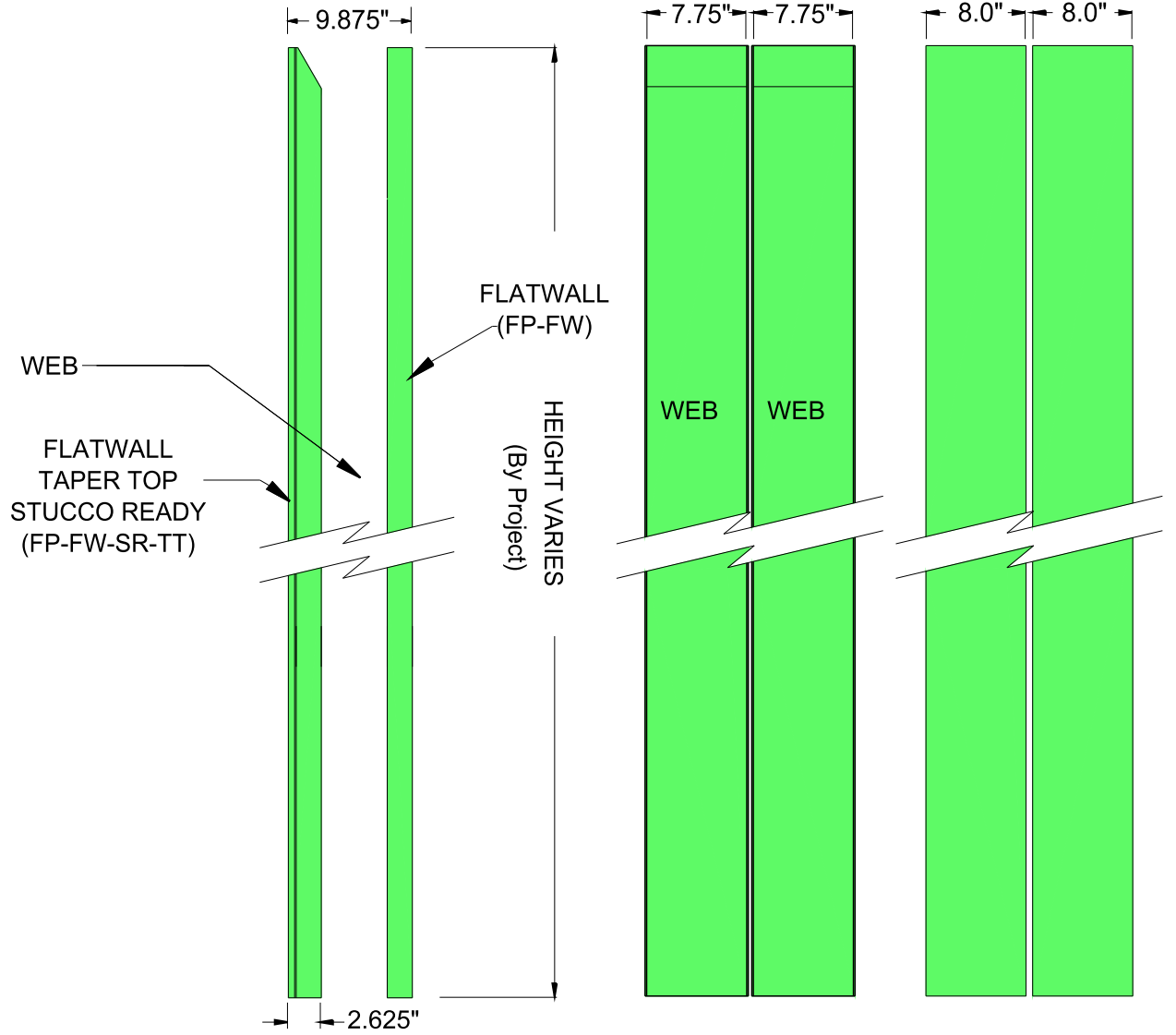
All drawings and details shall be constructed in accordance with the local building code regulations, project engineering, and construction practices.

Design contained herein are protected by copyright, recipient acknowledges contents are property of Hobbs Building Systems, LLC., and shall be used only for construction purposes and not copied, used or reproduced, for any other purposes or projects without written permission from Hobbs Building Systems, LLC. all rights reserved. Hobbs Building Systems, LLC. 2009. Hobbs Building Systems, LLC reserves the right to make changes to the drawings/information shown without notice.

STUCCO READY DESIGN

STANDARD CONTOUR
 FOAM PANEL - DOUBLE TAPER TOP - DETAILS

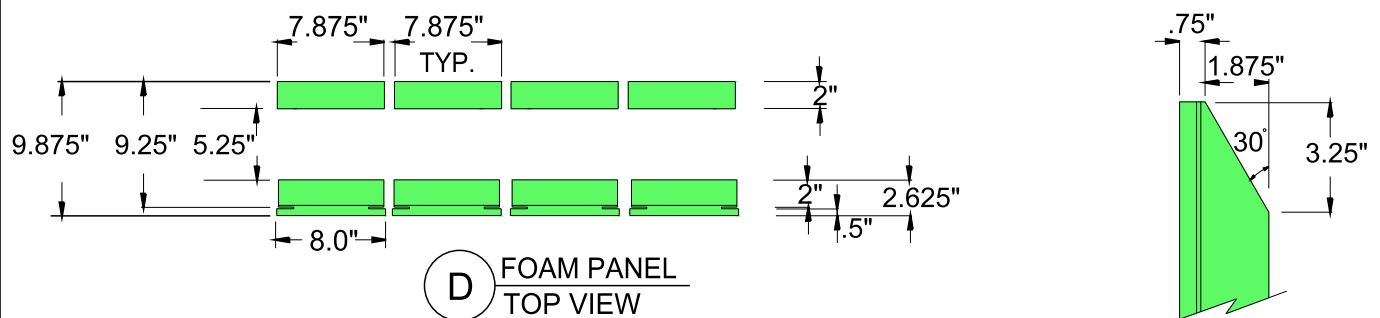
Date: 01/25/2010	Drawn By: S.K.V.	Scale: N.T.S.
Revision #: 1	DWG #: SR-20.03	
Revision Date: 02/18/2010		



A FOAM PANEL SIDE VIEW

B INSIDE FACE

C OUTSIDE FACE



D FOAM PANEL TOP VIEW



Vertical ICF Wall System

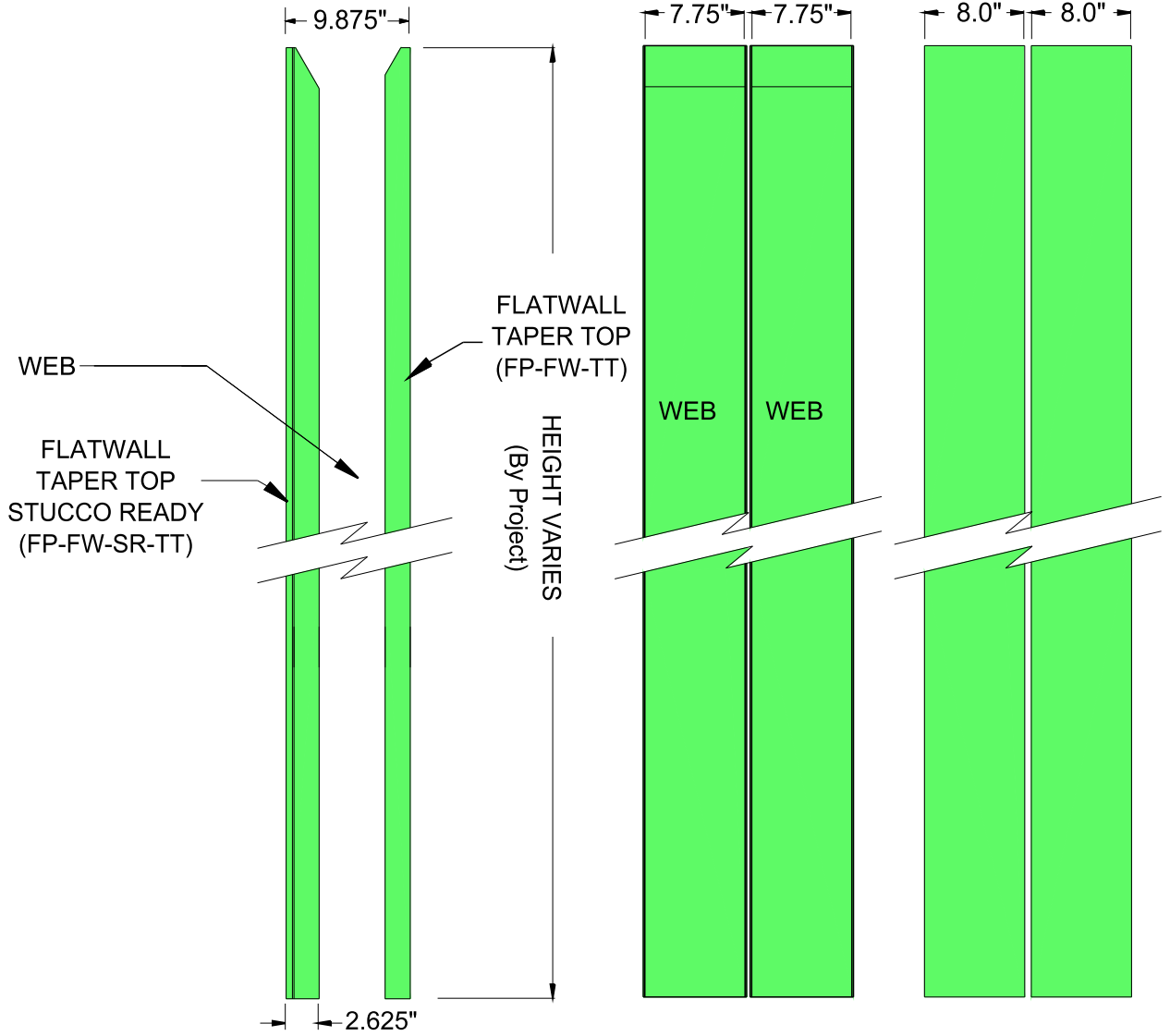
Tell: (515) 473-9255
 Fax: (515) 974-4399
 Toll free: 866-904-9255

All drawings and details shall be constructed in accordance with the local building code regulations, project engineering, and construction practices.

Design contained herein are protected by copyright, recipient acknowledges contents are property of Hobbs Building Systems, LLC., and shall be used only for construction purposes and not copied, used or reproduced, for any other purposes or projects without written permission from Hobbs Building Systems, LLC. all rights reserved. Hobbs Building Systems, LLC. 2009. Hobbs Building Systems, LLC reserves the right to make changes to the drawings/information shown without notice.

STUCCO READY DESIGN
FLATWALL
FOAM PANEL - TAPER TOP - DETAILS

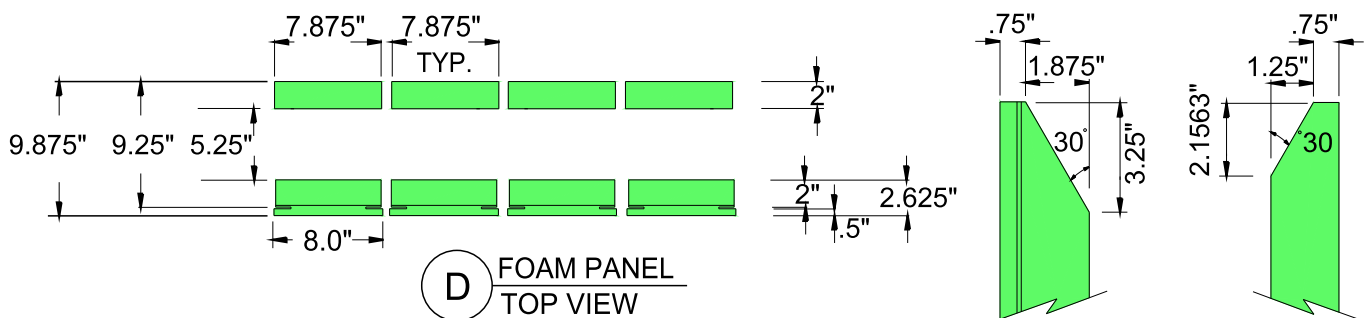
Date: 01/25/2010	Drawn By: S.K.V.	Scale: N.T.S.
Revision #: 1	DWG #: SR-20.04	
Revision Date: 02/18/2010		



A FOAM PANEL SIDE VIEW

B INSIDE FACE

C OUTSIDE FACE



D FOAM PANEL TOP VIEW



Vertical ICF Wall System

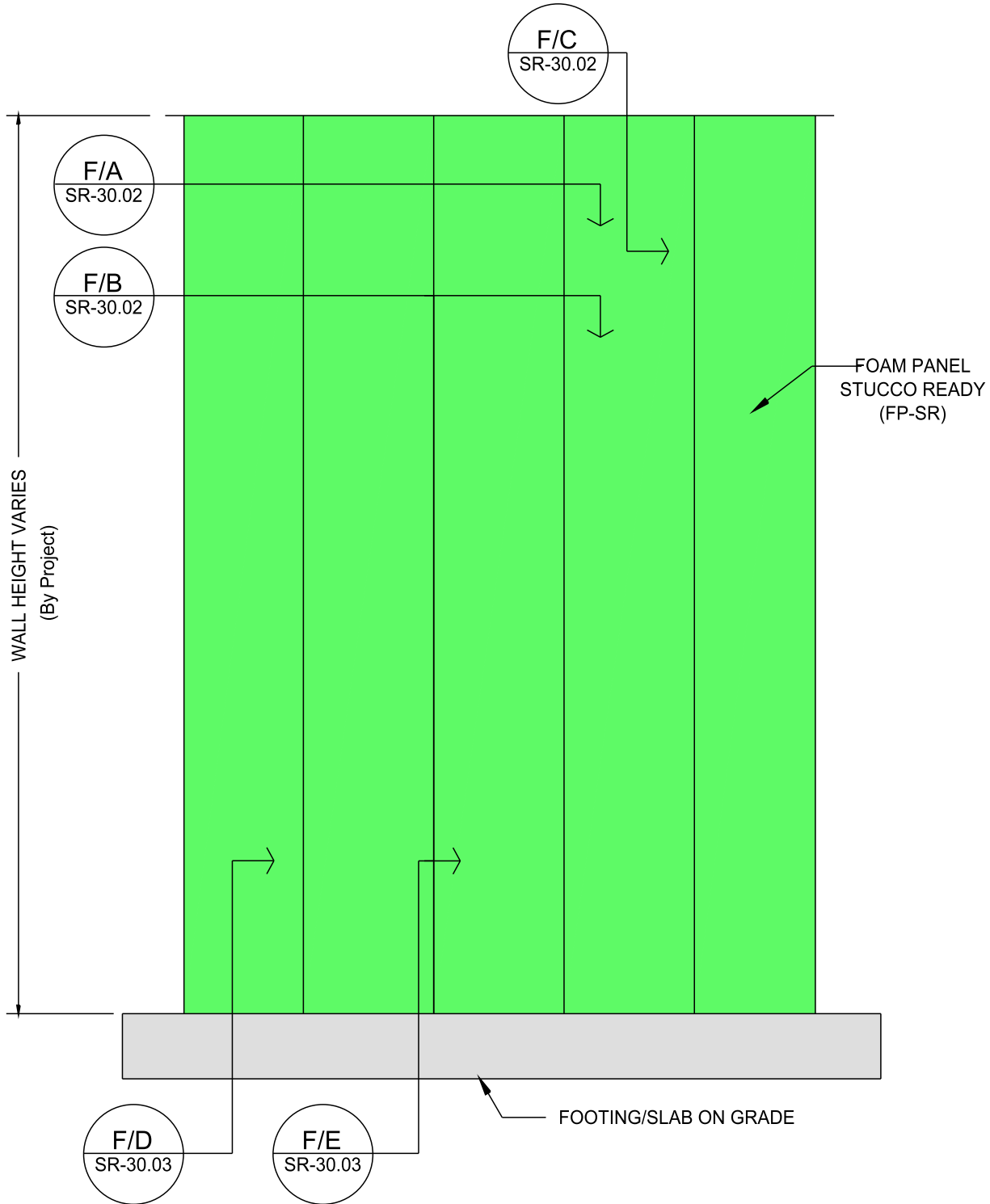
Tell: (515) 473-9255
 Fax: (515) 974-4399
 Toll free: 866-904-9255

All drawings and details shall be constructed in accordance with the local building code regulations, project engineering, and construction practices.

Design contained herein are protected by copyright, recipient acknowledges contents are property of Hobbs Building Systems, LLC., and shall be used only for construction purposes and not copied, used or reproduced, for any other purposes or projects without written permission from Hobbs Building Systems, LLC. all rights reserved. Hobbs Building Systems, LLC. 2009. Hobbs Building Systems, LLC reserves the right to make changes to the drawings/information shown without notice.

STUCCO READY DESIGN
FLATWALL
FOAM PANEL - DOUBLE TAPER TOP - DETAILS

Date: 01/25/2010	Drawn By: S.K.V.	Scale: N.T.S.
Revision #: 1	DWG #: SR-20.05	
Revision Date: 02/18/2010		



Vertical ICF Wall System

Tell: (515) 473-9255
 Fax: (515) 974-4399
 Toll free: 866-904-9255

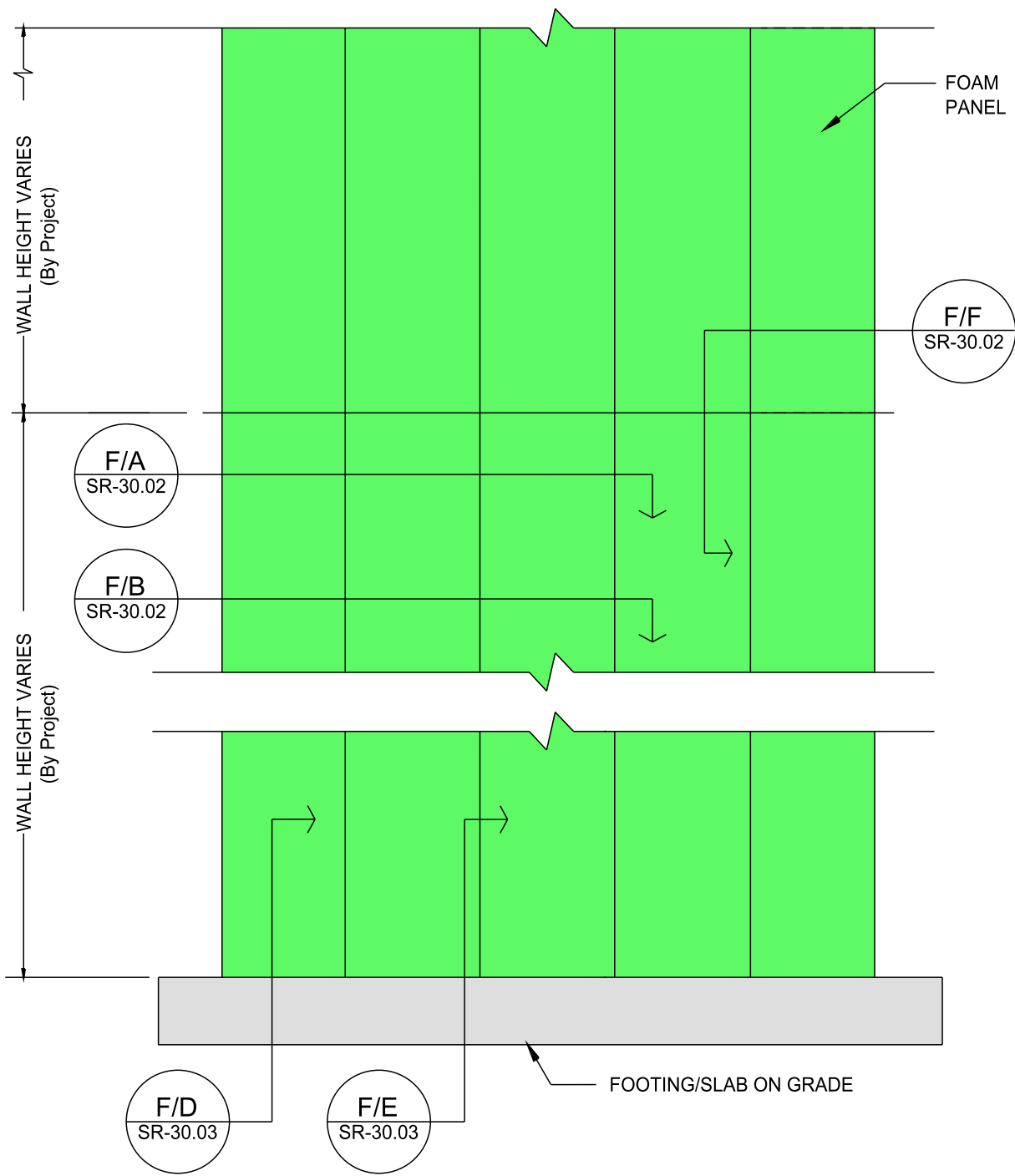
All drawings and details shall be constructed in accordance with the local building code regulations, project engineering, and construction practices.

Design contained herein are protected by copyright, recipient acknowledges contents are property of Hobbs Building Systems, LLC., and shall be used only for construction purposes and not copied, used or reproduced, for any other purposes or projects without written permission from Hobbs Building Systems, LLC. all rights reserved. Hobbs Building Systems, LLC. 2009. Hobbs Building Systems, LLC reserves the right to make changes to the drawings/information shown without notice.

STUCCO READY DESIGN

**ASSEMBLED FORM ELEVATION
 - FOUNDATION ONLY**

Date: 05/08/2009	Drawn By: S.K.V.	Scale: N.T.S.
Revision #: 2	DWG #: SR-30.00	
Revision Date: 01/11/2010		



Vertical ICF Wall System

Tell: (515) 473-9255
 Fax: (515) 974-4399
 Toll free: 866-904-9255

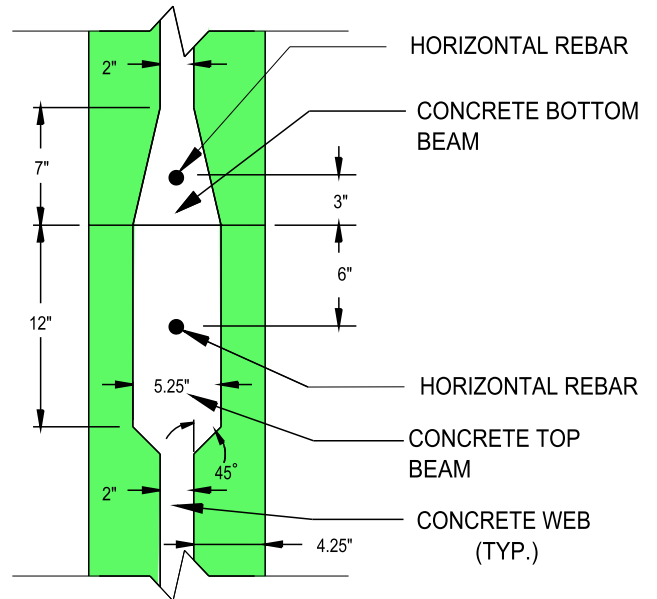
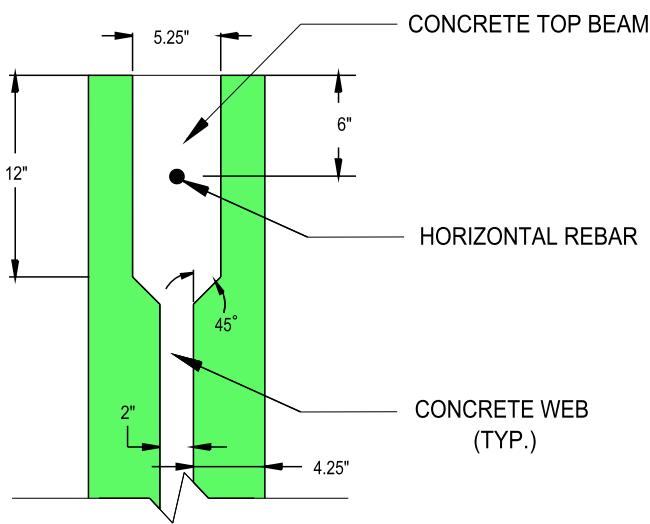
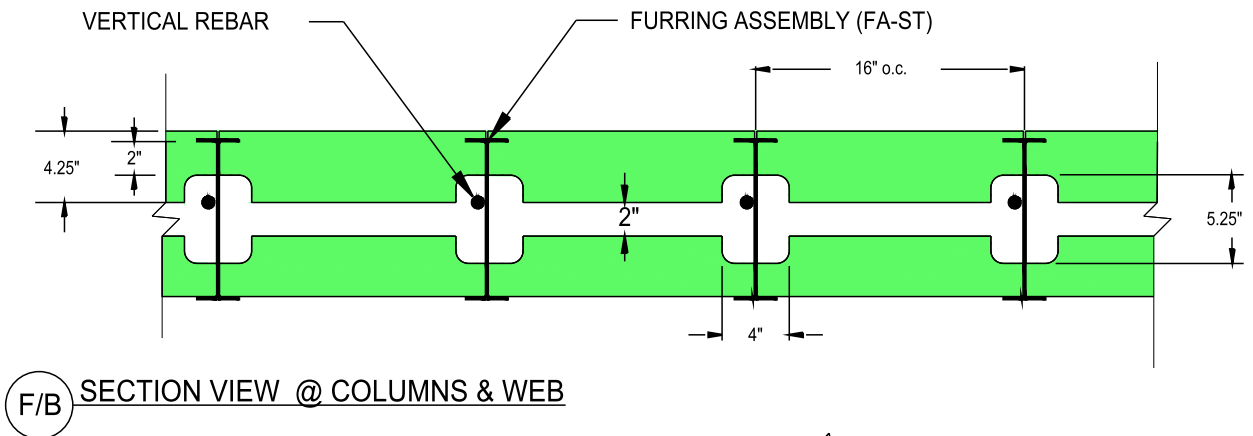
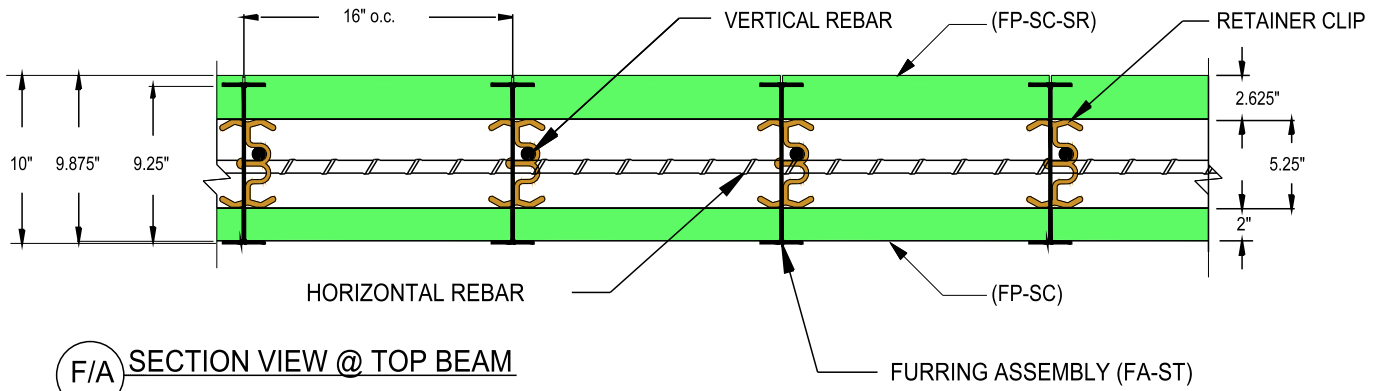
All drawings and details shall be constructed in accordance with the local building code regulations, project engineering, and construction practices.

Design contained herein are protected by copyright, recipient acknowledges contents are property of Hobbs Building Systems, LLC., and shall be used only for construction purposes and not copied, used or reproduced, for any other purposes or projects without written permission from Hobbs Building Systems, LLC. all rights reserved. Hobbs Building Systems, LLC. 2009. Hobbs Building Systems, LLC reserves the right to make changes to the drawings/information shown without notice.

STUCCO READY DESIGN

ASSEMBLED FORM
 - SECTIONS J & K

Date: 05/08/2009	Drawn By: S.K.V.	Scale: N.T.S.
Revision #: 2	DWG #: SR-30.01	
Revision Date: 01/11/2010		



NOTE: "DRAWINGS ARE EXAMPLES ONLY. REFER TO PROJECT ENGINEERING FOR EXACT SPECIFICATIONS, SUCH AS, REBAR SIZE AND PLACEMENT LOCATIONS"



Vertical ICF Wall System

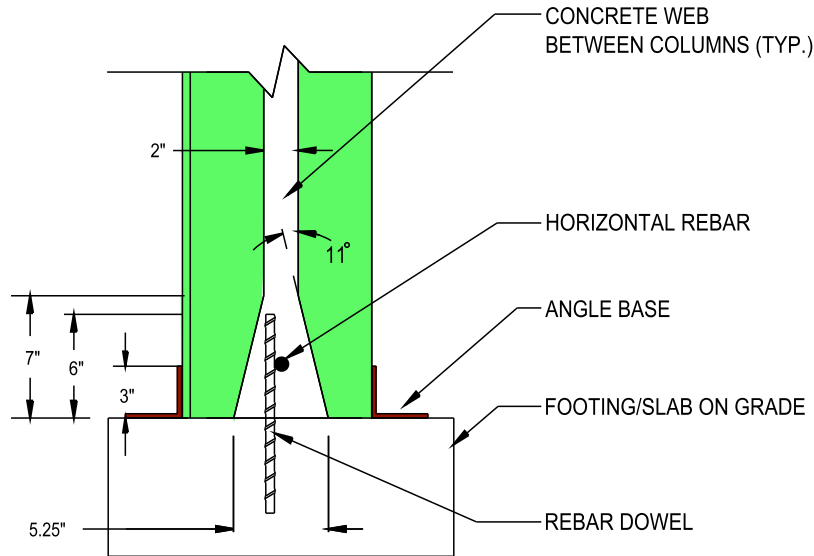
Tell: (515) 473-9255
Fax: (515) 974-4399
Toll free: 866-904-9255

All drawings and details shall be constructed in accordance with the local building code regulations, project engineering, and construction practices.

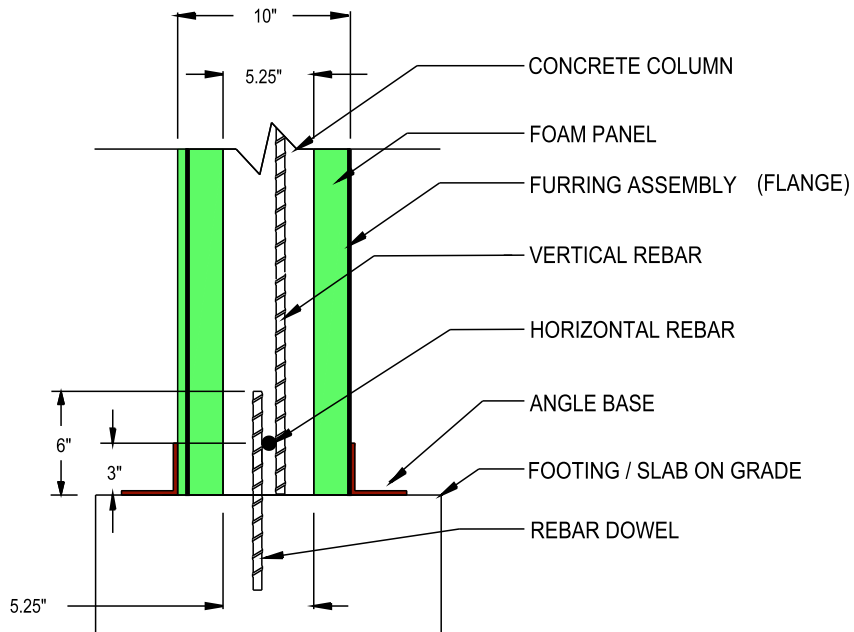
Design contained herein are protected by copyright, recipient acknowledges contents are property of Hobbs Building Systems, LLC., and shall be used only for construction purposes and not copied, used or reproduced, for any other purposes or projects without written permission from Hobbs Building Systems, LLC. all rights reserved. Hobbs Building Systems, LLC. 2009. Hobbs Building Systems, LLC reserves the right to make changes to the drawings/information shown without notice.

STUCCO READY DESIGN
ASSEMBLED FORM
- SECTIONS F,G,H,&I

Date: 05/08/2009	Drawn By: S.K.V.	Scale: N.T.S.
Revision #: 2	DWG #: SR-30.02	
Revision Date: 01/11/2010		



F/D SECTION VIEW @ BOTTOM BEAM & WEB



F/E SECTION VIEW @ BOTTOM BEAM & COLUMN

NOTE: "DRAWINGS ARE EXAMPLES ONLY. REFER TO PROJECT ENGINEERING FOR EXACT SPECIFICATIONS, SUCH AS, REBAR SIZE AND PLACEMENT LOCATIONS"



Vertical ICF Wall System

Tell: (515) 473-9255
 Fax: (515) 974-4399
 Toll free: 866-904-9255

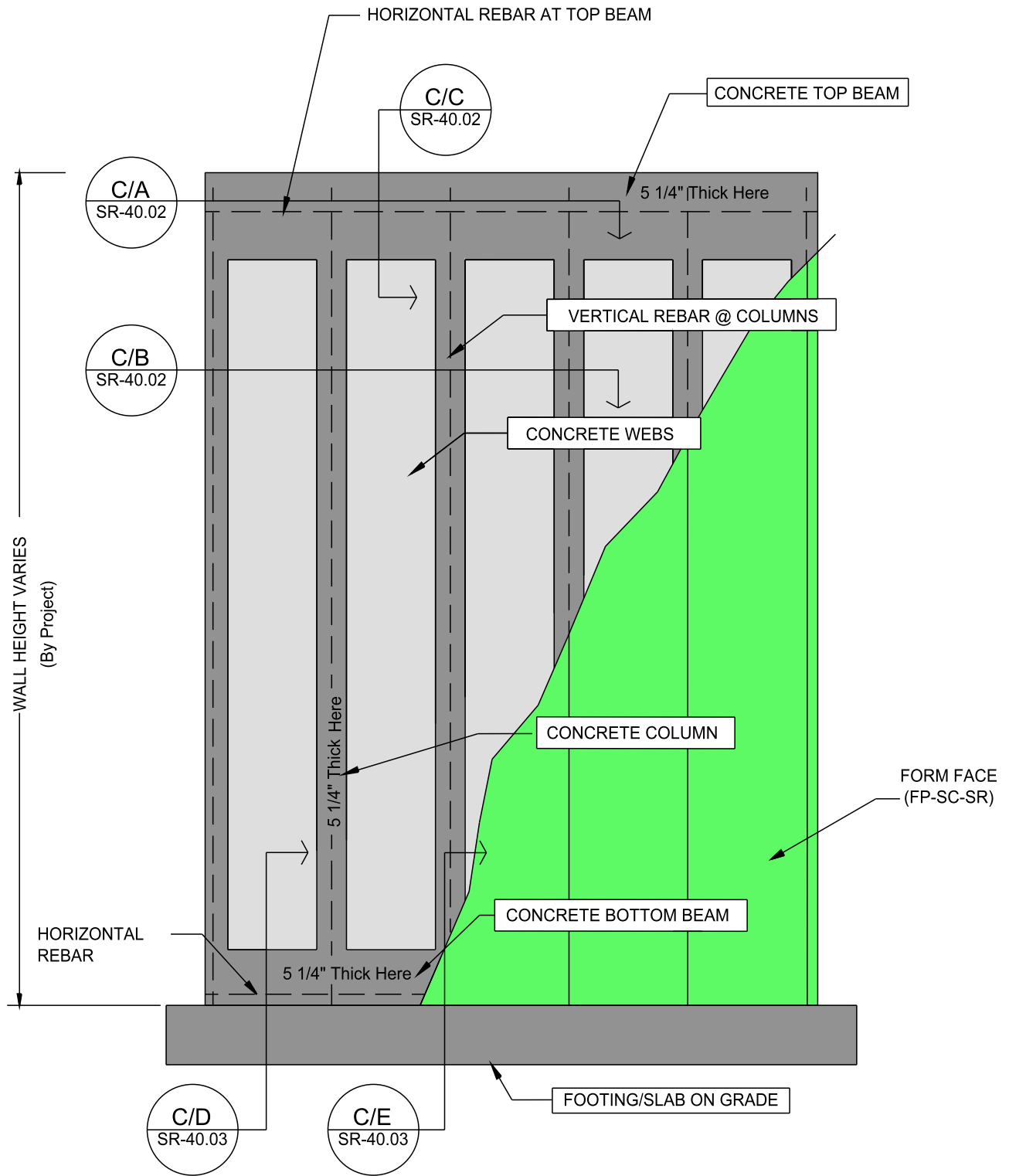
All drawings and details shall be constructed in accordance with the local building code regulations, project engineering, and construction practices.

Design contained herein are protected by copyright, recipient acknowledges contents are property of Hobbs Building Systems, LLC., and shall be used only for construction purposes and not copied, used or reproduced, for any other purposes or projects without written permission from Hobbs Building Systems, LLC. all rights reserved. Hobbs Building Systems, LLC. 2009. Hobbs Building Systems, LLC reserves the right to make changes to the drawings/information shown without notice.

STUCCO READY DESIGN

ASSEMBLE FORM
 - SECTION J & K

Date: 05/08/2009	Drawn By: S.K.V.	Scale: N.T.S.
Revision #: 2	DWG #: SR-30.03	
Revision Date: 01/11/2010		



NOTE: "DRAWINGS ARE EXAMPLES ONLY. REFER TO PROJECT ENGINEERING FOR EXACT SPECIFICATIONS, SUCH AS, REBAR SIZE AND PLACEMENT LOCATIONS"



Vertical ICF Wall System

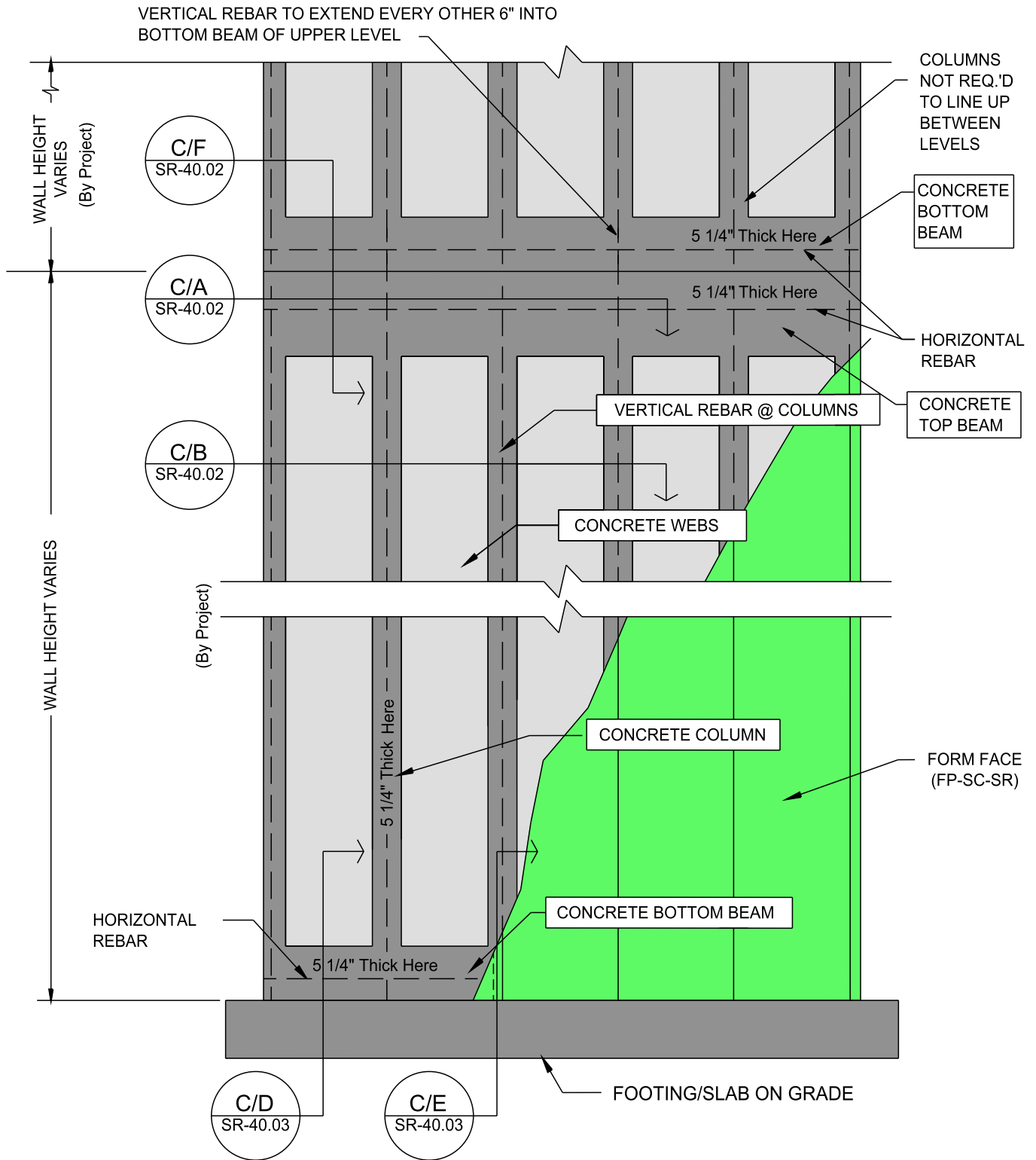
Tell: (515) 473-9255
Fax: (515) 974-4399
Toll free: 866-904-9255

All drawings and details shall be constructed in accordance with the local building code regulations, project engineering, and construction practices.

Design contained herein are protected by copyright, recipient acknowledges contents are property of Hobbs Building Systems, LLC., and shall be used only for construction purposes and not copied, used or reproduced, for any other purposes or projects without written permission from Hobbs Building Systems, LLC. all rights reserved. Hobbs Building Systems, LLC. 2009. Hobbs Building Systems, LLC reserves the right to make changes to the drawings/information shown without notice.

STUCCO READY DESIGN
CONCRETE STRUCTURE
CUT-AWAY ELEVATION
- FOUNDATION ONLY

Date: 05/08/2009	Drawn By: S.K.V.	Scale: N.T.S.
Revision #: 2	DWG #: SR-40.00	
Revision Date: 01/11/2010		



NOTE: "DRAWINGS ARE EXAMPLES ONLY. REFER TO PROJECT ENGINEERING FOR EXACT SPECIFICATIONS, SUCH AS, REBAR SIZE AND PLACEMENT LOCATIONS"



Vertical ICF Wall System

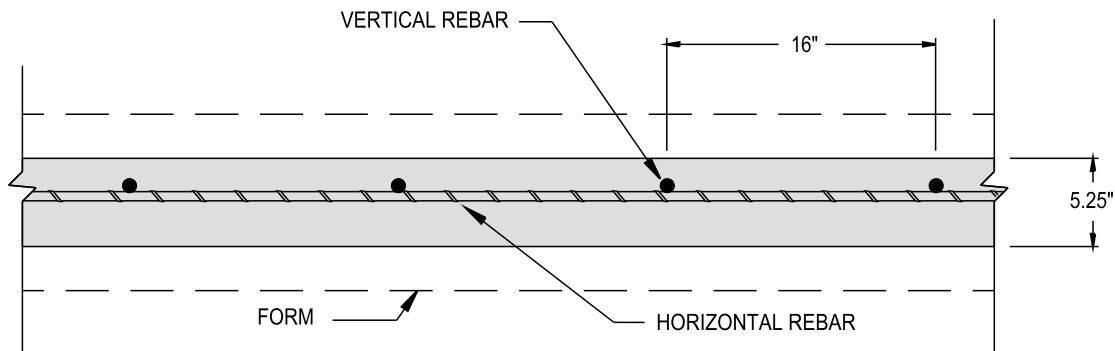
Tell: (515) 473-9255
Fax: (515) 974-4399
Toll free: 866-904-9255

All drawings and details shall be constructed in accordance with the local building code regulations, project engineering, and construction practices.

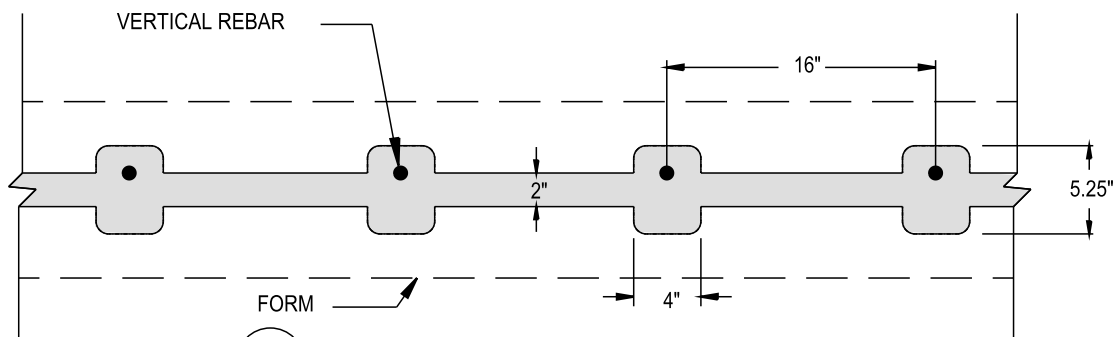
Design contained herein are protected by copyright, recipient acknowledges contents are property of Hobbs Building Systems, LLC., and shall be used only for construction purposes and not copied, used or reproduced, for any other purposes or projects without written permission from Hobbs Building Systems, LLC. all rights reserved. Hobbs Building Systems, LLC. 2009. Hobbs Building Systems, LLC reserves the right to make changes to the drawings/information shown without notice.

STUCCO READY DESIGN
CONCRETE STRUCTURE
CUT-AWAY ELEVATION
- MULTI LEVEL

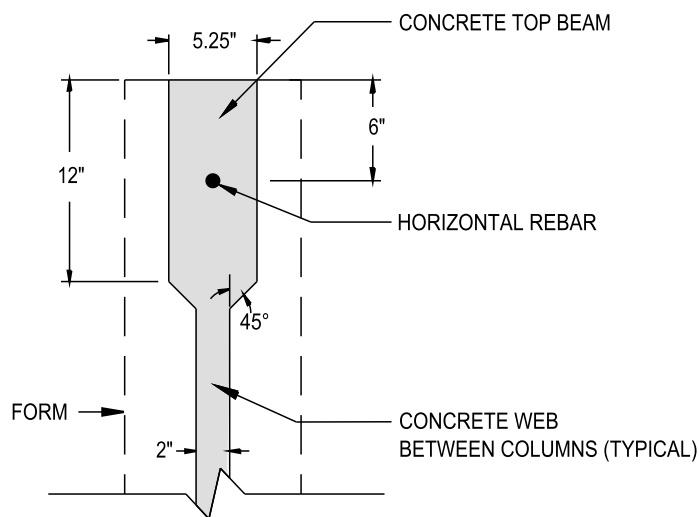
Date: 05/08/2009	Drawn By: S.K.V.	Scale: N.T.S.
Revision #: 2	DWG #: SR-40.01	
Revision Date: 01/11/2010		



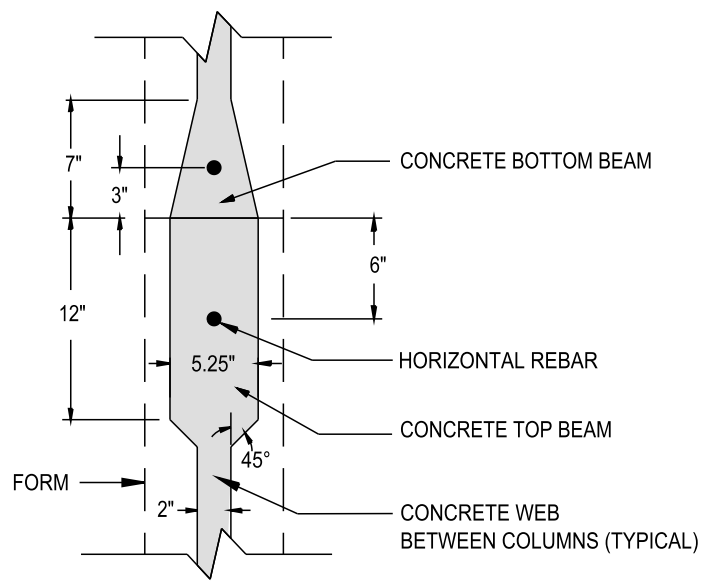
C/A SECTION VIEW OF CONCRETE @ TOP BEAM



C/B SECTION VIEW OF CONCRETE @ COLUMNS & WEB



C/C SECTION VIEW OF CONCRETE @ TOP BEAM & WEB



C/F SECTION VIEW OF CONCRETE @ TOP BEAM & BEAM

NOTE: "DRAWINGS ARE EXAMPLES ONLY. REFER TO PROJECT ENGINEERING FOR EXACT SPECIFICATIONS, SUCH AS, REBAR SIZE AND PLACEMENT LOCATIONS"



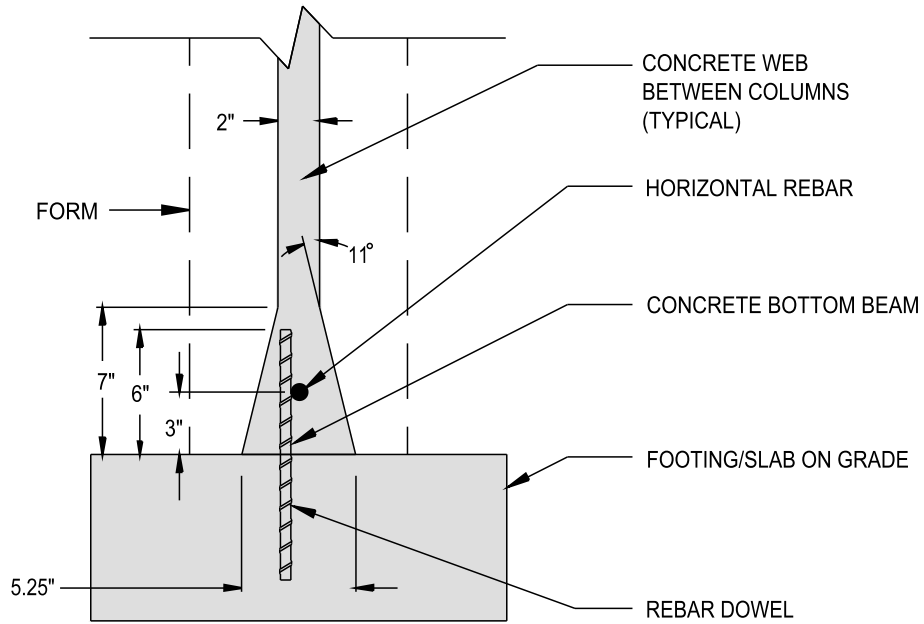
Tell: (515) 473-9255
 Fax: (515) 974-4399
 Toll free: 866-904-9255

All drawings and details shall be constructed in accordance with the local building code regulations, project engineering, and construction practices.

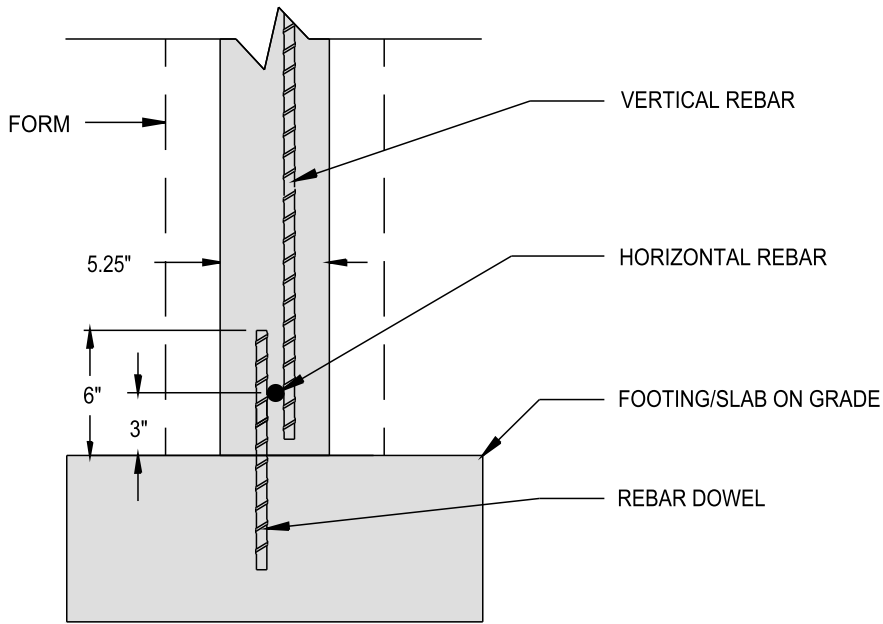
Design contained herein are protected by copyright, recipient acknowledges contents are property of Hobbs Building Systems, LLC., and shall be used only for construction purposes and not copied, used or reproduced, for any other purposes or projects without written permission from Hobbs Building Systems, LLC. 2009. Hobbs Building Systems, LLC reserves the right to make changes to the drawings/information shown without notice.

STUCCO READY DESIGN
 CONCRETE SECTIONS
 A, B, C, & D
 - WITHOUT FORMS

Date: 05/08/2009	Drawn By: S.K.V.	Scale: N.T.S.
Revision #: 2	DWG #: SR-40.02	
Revision Date: 01/11/2010		



C/D SECTION VIEW @ BOTTOM BEAM & WEB



C/E SECTION VIEW @ COLUMN

NOTE: "DRAWINGS ARE EXAMPLES ONLY. REFER TO PROJECT ENGINEERING FOR EXACT SPECIFICATIONS, SUCH AS, REBAR SIZE AND PLACEMENT LOCATIONS"



Vertical ICF Wall System

Tell: (515) 473-9255
Fax: (515) 974-4399
Toll free: 866-904-9255

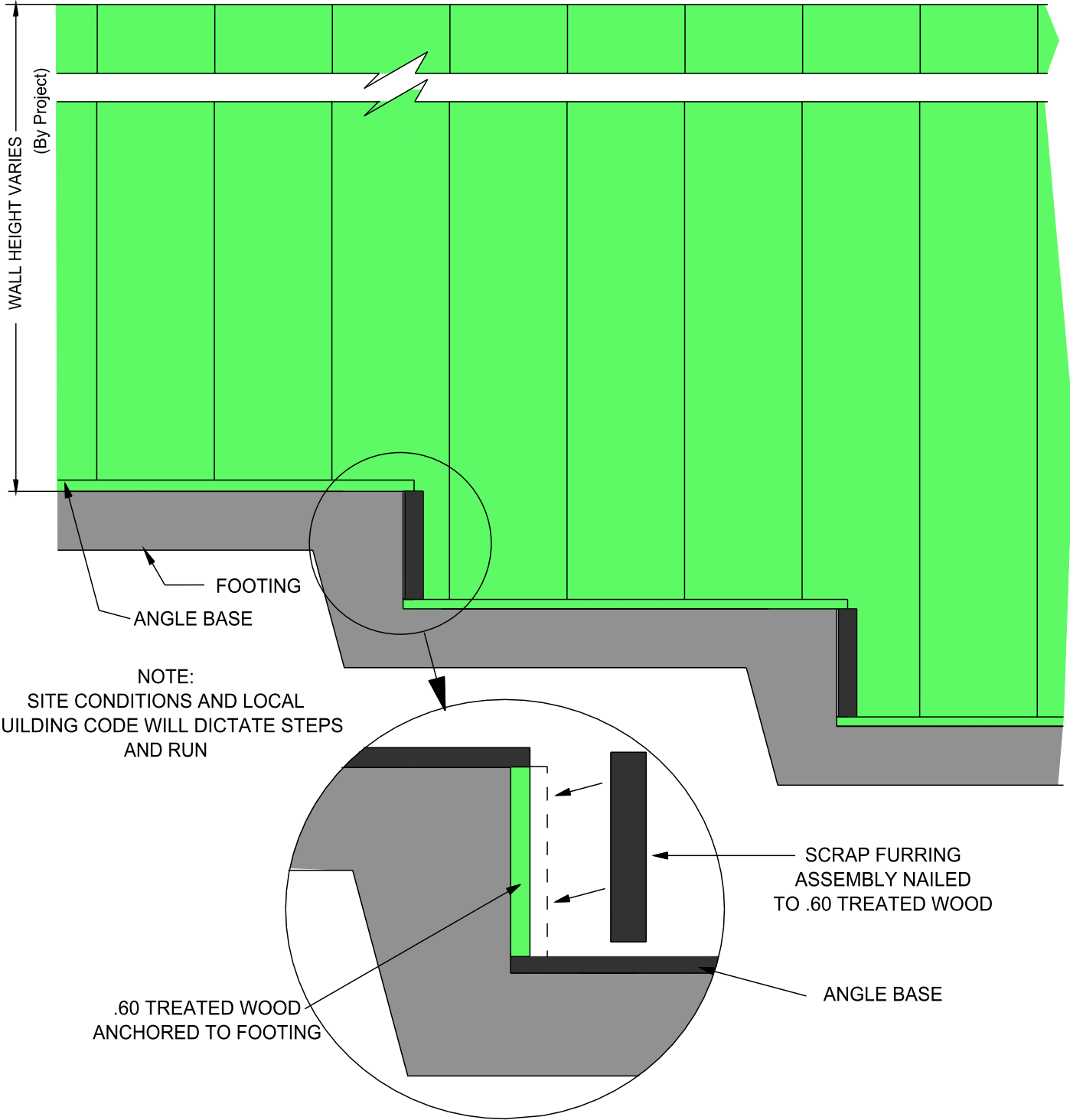
All drawings and details shall be constructed in accordance with the local building code regulations, project engineering, and construction practices.

Design contained herein are protected by copyright, recipient acknowledges contents are property of Hobbs Building Systems, LLC, and shall be used only for construction purposes and not copied, used or reproduced, for any other purposes or projects without written permission from Hobbs Building Systems, LLC. all rights reserved. Hobbs Building Systems, LLC. 2009. Hobbs Building Systems, LLC reserves the right to make changes to the drawings/information shown without notice.

STUCCO READY DESIGN

CONCRETE SECTIONS
E & F - WITHOUT FORMS

Date: 05/08/2009	Drawn By: S.K.V.	Scale: N.T.S.
Revision #: 2	DWG #: SR-40.03	
Revision Date: 01/11/2010		



NOTE: "DRAWINGS ARE EXAMPLES ONLY. REFER TO PROJECT ENGINEERING FOR EXACT SPECIFICATIONS, SUCH AS, REBAR SIZE AND PLACEMENT LOCATIONS"



Vertical ICF Wall System

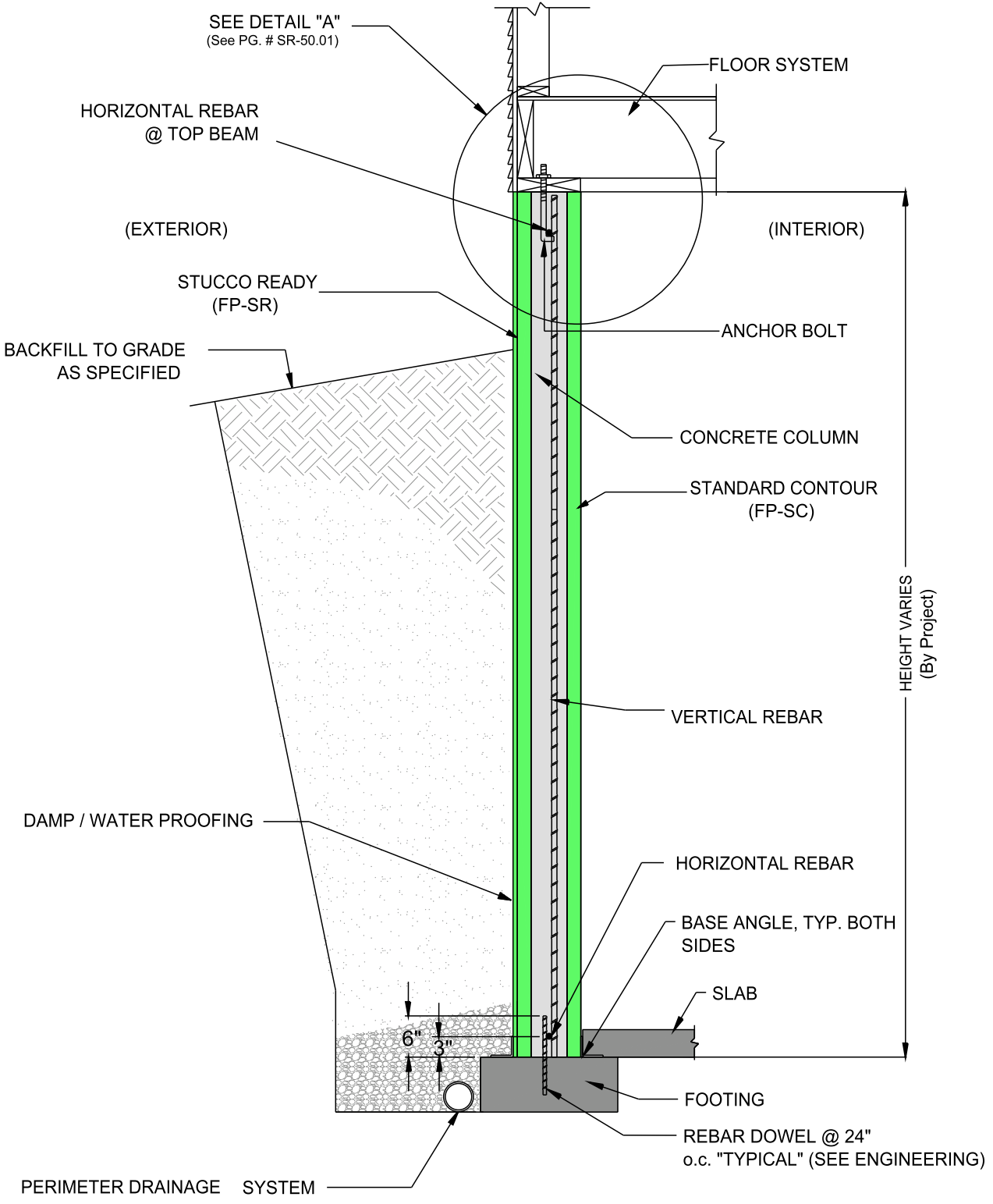
Tell: (515) 473-9255
Fax: (515) 974-4399
Toll free: 866-904-9255

All drawings and details shall be constructed in accordance with the local building code regulations, project engineering, and construction practices.

Design contained herein are protected by copyright, recipient acknowledges contents are property of Hobbs Building Systems, LLC., and shall be used only for construction purposes and not copied, used or reproduced, for any other purposes or projects without written permission from Hobbs Building Systems, LLC. all rights reserved. Hobbs Building Systems, LLC. 2009. Hobbs Building Systems, LLC reserves the right to make changes to the drawings/information shown without notice.

STUCCO READY DESIGN
CONCRETE STRUCTURE
STEPPED FOOTING

Date: 05/08/2009	Drawn By: P.D.K.	Scale: N.T.S.
Revision #: 2	DWG #: SR-40.04	
Revision Date: 02/23/2010		



NOTE: "DRAWINGS ARE EXAMPLES ONLY. REFER TO PROJECT ENGINEERING FOR EXACT SPECIFICATIONS, SUCH AS, REBAR SIZE AND PLACEMENT LOCATIONS"



Vertical ICF Wall System

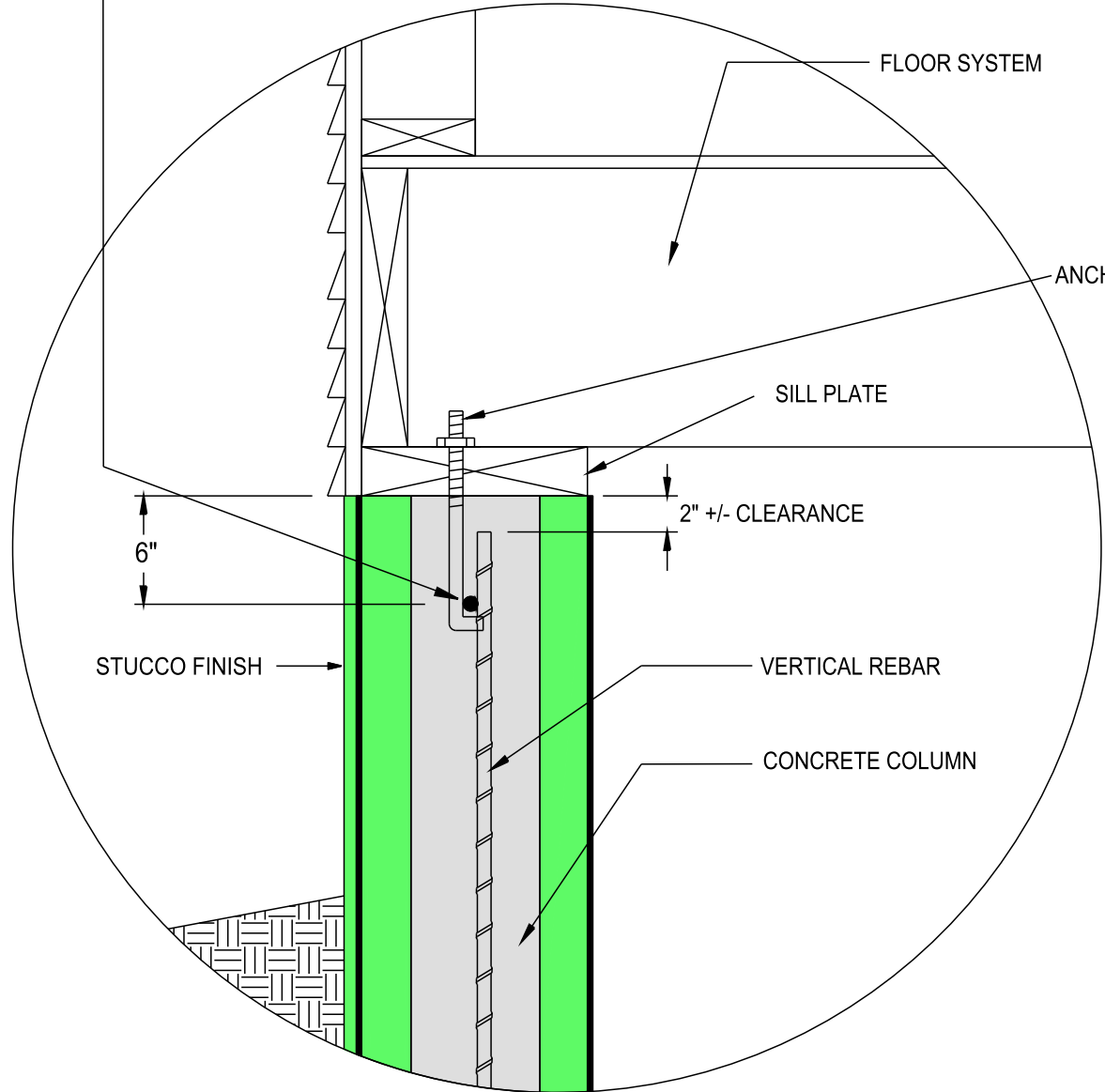
Tell: (515) 473-9255
Fax: (515) 974-4399
Toll free: 866-904-9255

All drawings and details shall be constructed in accordance with the local building code regulations, project engineering, and construction practices.
Design contained herein are protected by copyright, recipient acknowledges contents are property of Hobbs Building Systems, LLC., and shall be used only for construction purposes and not copied, used or reproduced, for any other purposes or projects without written permission from Hobbs Building Systems, LLC. all rights reserved. Hobbs Building Systems, LLC. 2009. Hobbs Building Systems, LLC reserves the right to make changes to the drawings/information shown without notice.

STUCCO READY DESIGN
FOUNDATION ONLY
WALL SECTION @ COLUMN

Date: 05/08/2009	Drawn By: S.K.V.	Scale: N.T.S.
Revision #: 2	DWG #: SR-50.00	
Revision Date: 12/02/2009		

HORIZONTAL REBAR @ TOP BEAM



STUCCO FINISH

6"

2" +/- CLEARANCE

VERTICAL REBAR

CONCRETE COLUMN

FOUNDATION ONLY WALL SECTION @ COLUMN - DETAIL "A"

NOTE: "DRAWINGS ARE EXAMPLES ONLY. REFER TO PROJECT ENGINEERING FOR EXACT SPECIFICATIONS, SUCH AS, REBAR SIZE AND PLACEMENT LOCATIONS"



Vertical ICF Wall System

Tell: (515) 473-9255
Fax: (515) 974-4399
Toll free: 866-904-9255

All drawings and details shall be constructed in accordance with the local building code regulations, project engineering, and construction practices.

Design contained herein are protected by copyright, recipient acknowledges contents are property of Hobbs Building Systems, LLC., and shall be used only for construction purposes and not copied, used or reproduced, for any other purposes or projects without written permission from Hobbs Building Systems, LLC. All rights reserved. Hobbs Building Systems, LLC. 2009. Hobbs Building Systems, LLC reserves the right to make changes to the drawings/information shown without notice.

STUCCO READY DESIGN
FOUNDATION ONLY
WALL SECTION @
COLUMN - DETAIL "A"

Date:
05/08/2009

Drawn By:
S.K.V.

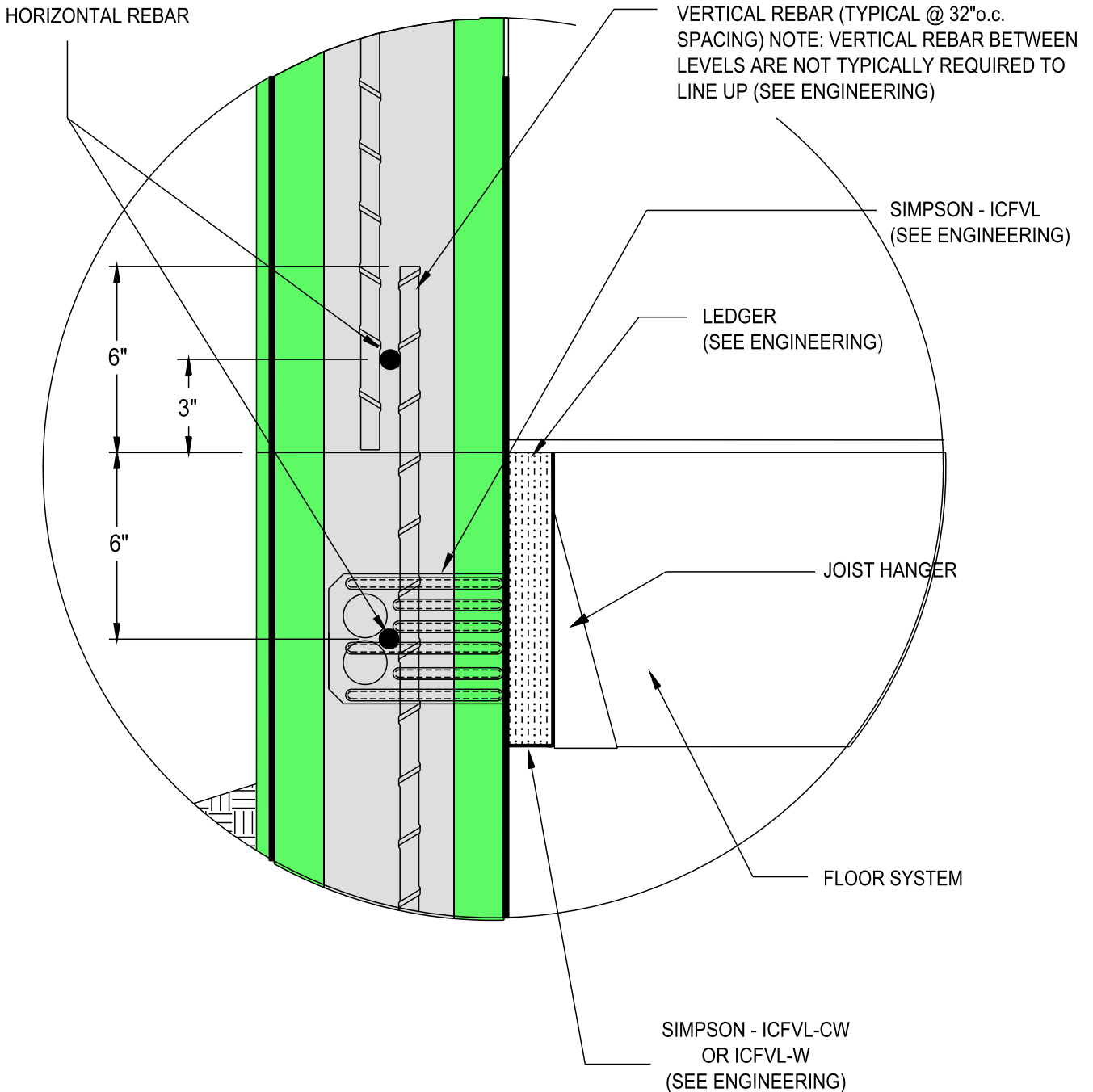
Scale:
N.T.S.

Revision #:
2

DWG #:

Revision Date:
12/2/2009

SR-50.01



FOUNDATION & UPPER LEVEL @ COLUMN - DETAIL "B"

NOTE: "DRAWINGS ARE EXAMPLES ONLY. REFER TO PROJECT ENGINEERING FOR EXACT SPECIFICATIONS, SUCH AS, REBAR SIZE AND PLACEMENT LOCATIONS"



Vertical ICF Wall System

Tell: (515) 473-9255
 Fax: (515) 974-4399
 Toll free: 866-904-9255

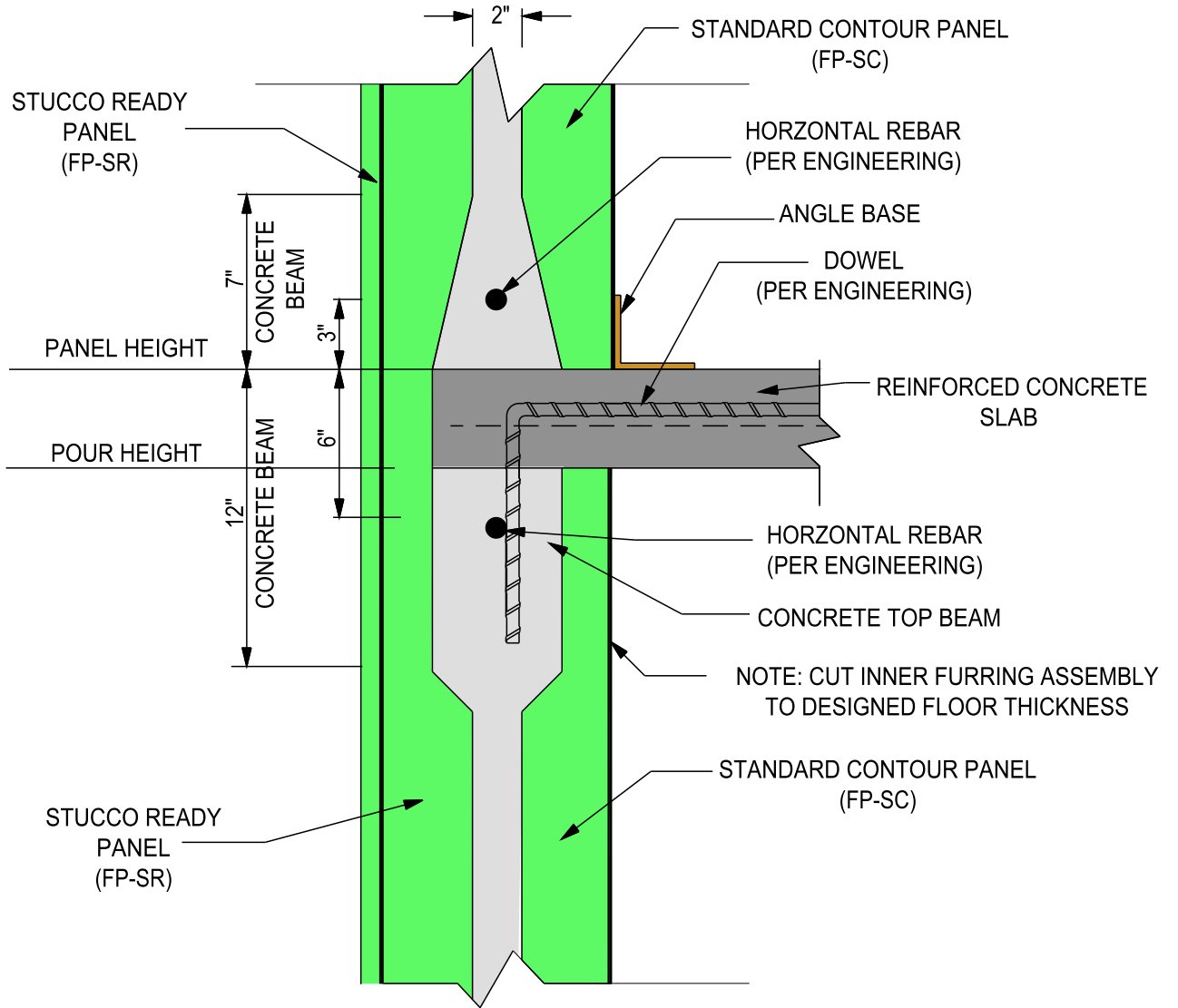
All drawings and details shall be constructed in accordance with the local building code regulations, project engineering, and construction practices.

Design contained herein are protected by copyright, recipient acknowledges contents are property of Hobbs Building Systems, LLC., and shall be used only for construction purposes and not copied, used or reproduced, for any other purposes or projects without written permission from Hobbs Building Systems, LLC. all rights reserved. Hobbs Building Systems, LLC. 2009. Hobbs Building Systems, LLC reserves the right to make changes to the drawings/information shown without notice.

STUCCO READY DESIGN

FOUNDATION & UPPER LEVEL @ COLUMN - DETAIL "B"

Date: 05/08/2009	Drawn By: S.K.V.	Scale: N.T.S.
Revision #: 2	DWG #: SR-50.03	
Revision Date: 12/02/2009		



REINFORCED CONCRETE FLOOR SLAB DETAIL @ WEB EXTERIOR

NOTE: "DRAWINGS ARE EXAMPLES ONLY. REFER TO PROJECT ENGINEERING FOR EXACT SPECIFICATIONS, SUCH AS, REBAR SIZE AND PLACEMENT LOCATIONS"



Vertical ICF Wall System

Tell: (515) 473-9255
 Fax: (515) 974-4399
 Toll free: 866-904-9255

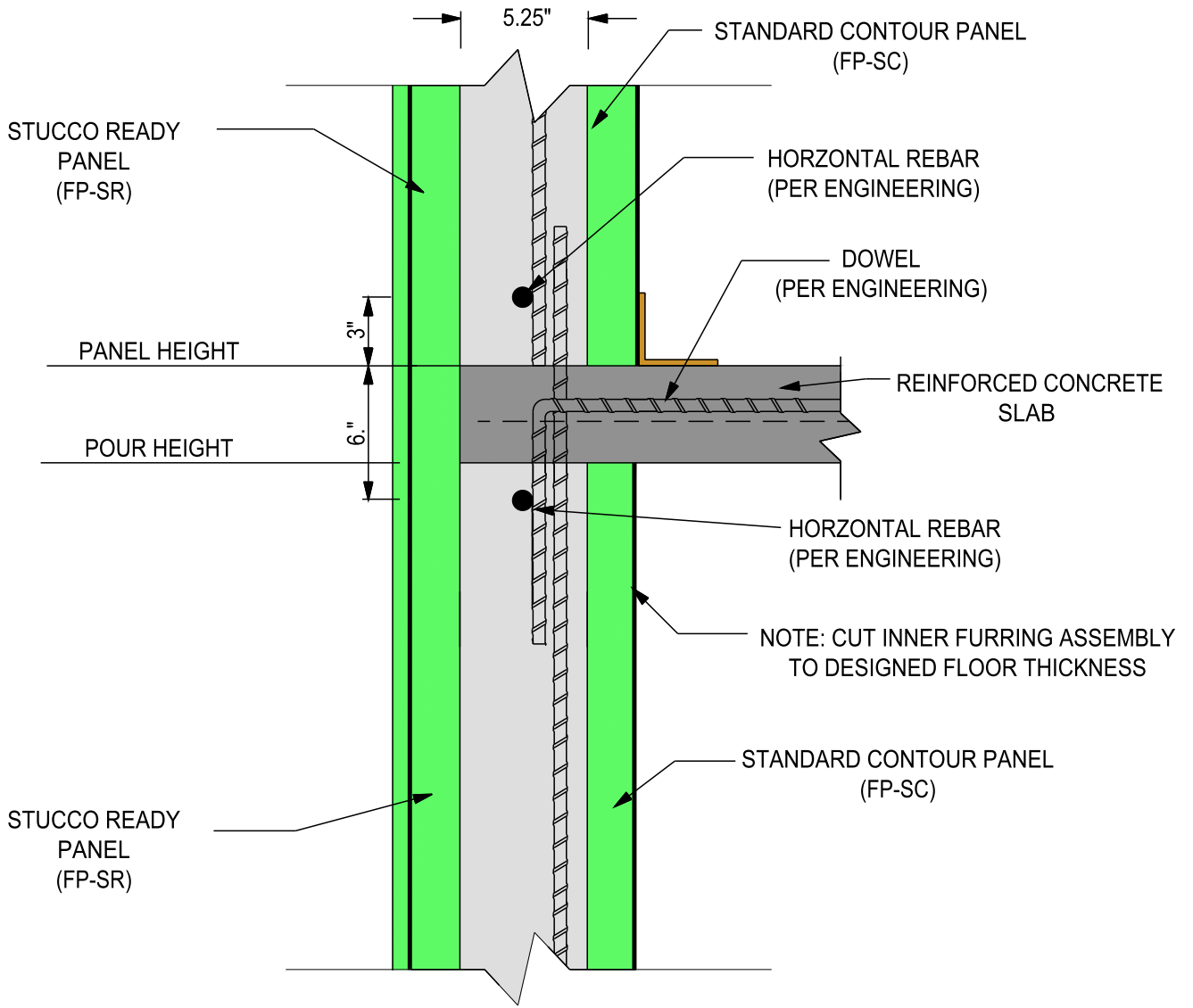
All drawings and details shall be constructed in accordance with the local building code regulations, project engineering, and construction practices.

Design contained herein are protected by copyright, recipient acknowledges contents are property of Hobbs Building Systems, LLC., and shall be used only for construction purposes and not copied, used or reproduced, for any other purposes or projects without written permission from Hobbs Building Systems, LLC. all rights reserved. Hobbs Building Systems, LLC. 2009. Hobbs Building Systems, LLC reserves the right to make changes to the drawings/information shown without notice.

STUCCO READY DESIGN

**REINFORCED CONCRETE FLOOR
SLAB EXTERIOR DETAIL @ WEB**

Date: 05/08/2009	Drawn By: S.K.V.	Scale: N.T.S.
Revision #: 1	DWG #: SR-50.05	
Revision Date: 02/19/2010		



**REINFORCED CONCRETE FLOOR
SLAB DETAIL @ COLUMN
EXTERIOR**

NOTE: "DRAWINGS ARE EXAMPLES ONLY. REFER TO PROJECT ENGINEERING FOR EXACT SPECIFICATIONS, SUCH AS, REBAR SIZE AND PLACEMENT LOCATIONS"



Vertical ICF Wall System

Tell: (515) 473-9255
 Fax: (515) 974-4399
 Toll free: 866-904-9255

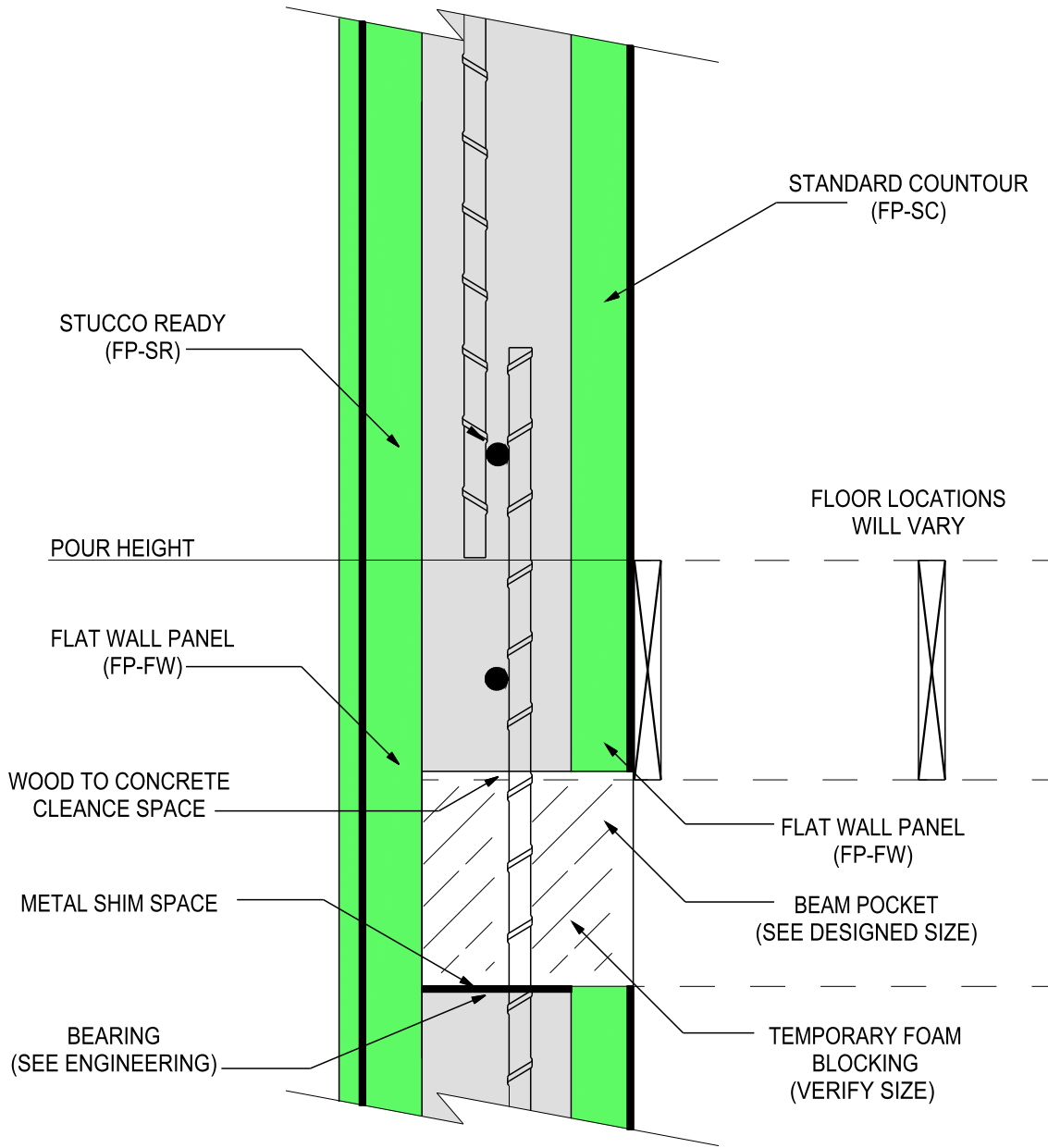
All drawings and details shall be constructed in accordance with the local building code regulations, project engineering, and construction practices.

Design contained herein are protected by copyright, recipient acknowledges contents are property of Hobbs Building Systems, LLC., and shall be used only for construction purposes and not copied, used or reproduced, for any other purposes or projects without written permission from Hobbs Building Systems, LLC. all rights reserved. Hobbs Building Systems, LLC. 2009. Hobbs Building Systems, LLC reserves the right to make changes to the drawings/information shown without notice.

STUCCO READY DESIGN

**REINFORCED CONCRETE FLOOR
SLAB EXTERIOR DETAIL @ WEB**

Date: 05/08/2009	Drawn By: S.K.V.	Scale: N.T.S.
Revision #: 1	DWG #: SR-50.06	
Revision Date: 02/19/2010		



BEAM POCKET @ COLUMN

NOTE: "DRAWINGS ARE EXAMPLES ONLY. REFER TO PROJECT ENGINEERING FOR EXACT SPECIFICATIONS, SUCH AS, REBAR SIZE AND PLACEMENT LOCATIONS"



Vertical ICF Wall System

Tell: (515) 473-9255
Fax: (515) 974-4399
Toll free: 866-904-9255

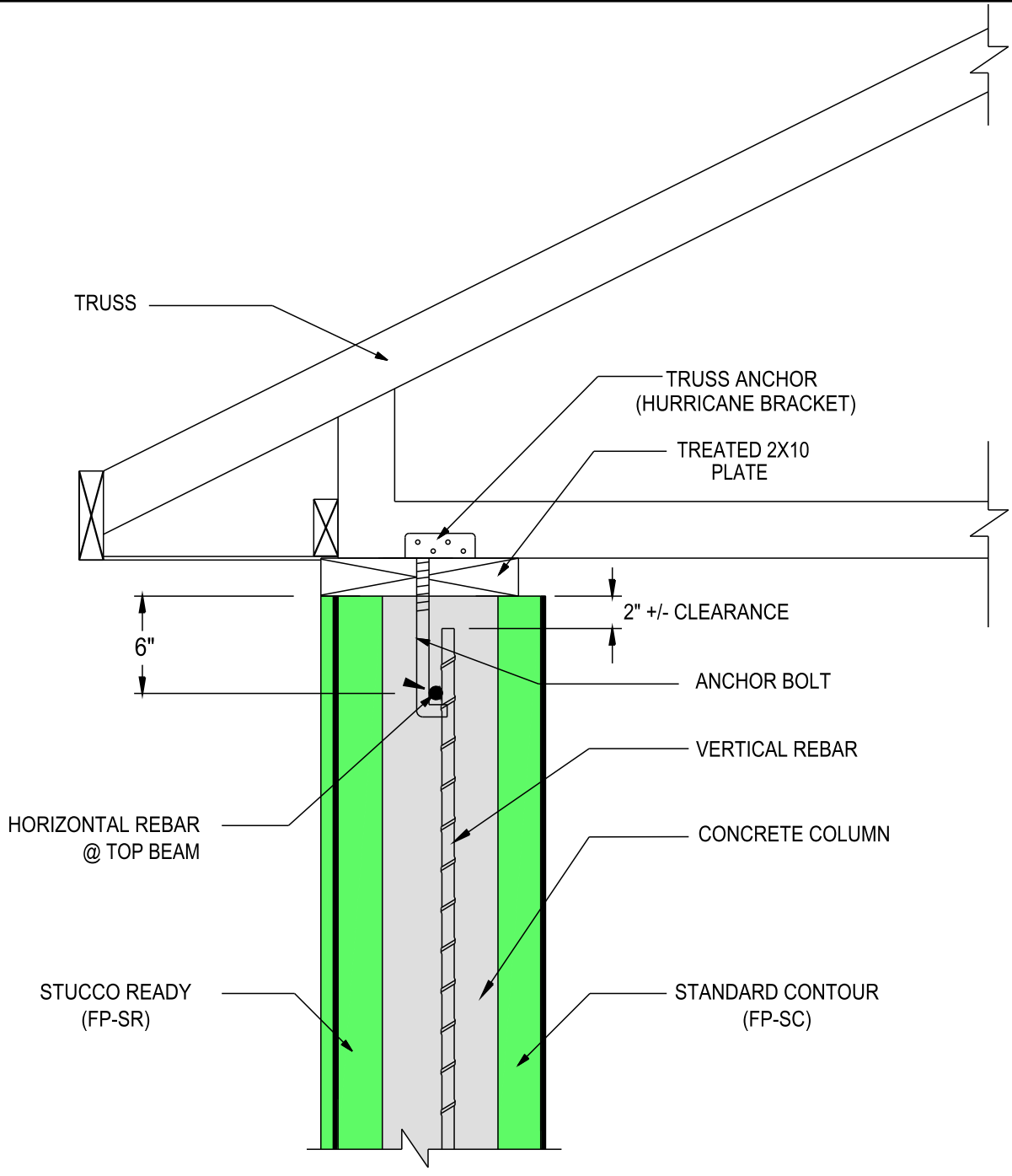
All drawings and details shall be constructed in accordance with the local building code regulations, project engineering, and construction practices.

Design contained herein are protected by copyright, recipient acknowledges contents are property of Hobbs Building Systems, LLC., and shall be used only for construction purposes and not copied, used or reproduced, for any other purposes or projects without written permission from Hobbs Building Systems, LLC. all rights reserved. Hobbs Building Systems, LLC. 2009. Hobbs Building Systems, LLC reserves the right to make changes to the drawings/information shown without notice.

STUCCO READY DESIGN

BEAM POCKET @ COLUMN

Date: 05/08/2009	Drawn By: S.K.V.	Scale: N.T.S.
Revision #: 1	DWG #: SR-50.09	
Revision Date: 02/19/2010		



VICF WALL TO TRUSS SECTION @ COLUMN "A"

NOTE: "DRAWINGS ARE EXAMPLES ONLY. REFER TO PROJECT ENGINEERING FOR EXACT SPECIFICATIONS, SUCH AS, REBAR SIZE AND PLACEMENT LOCATIONS"



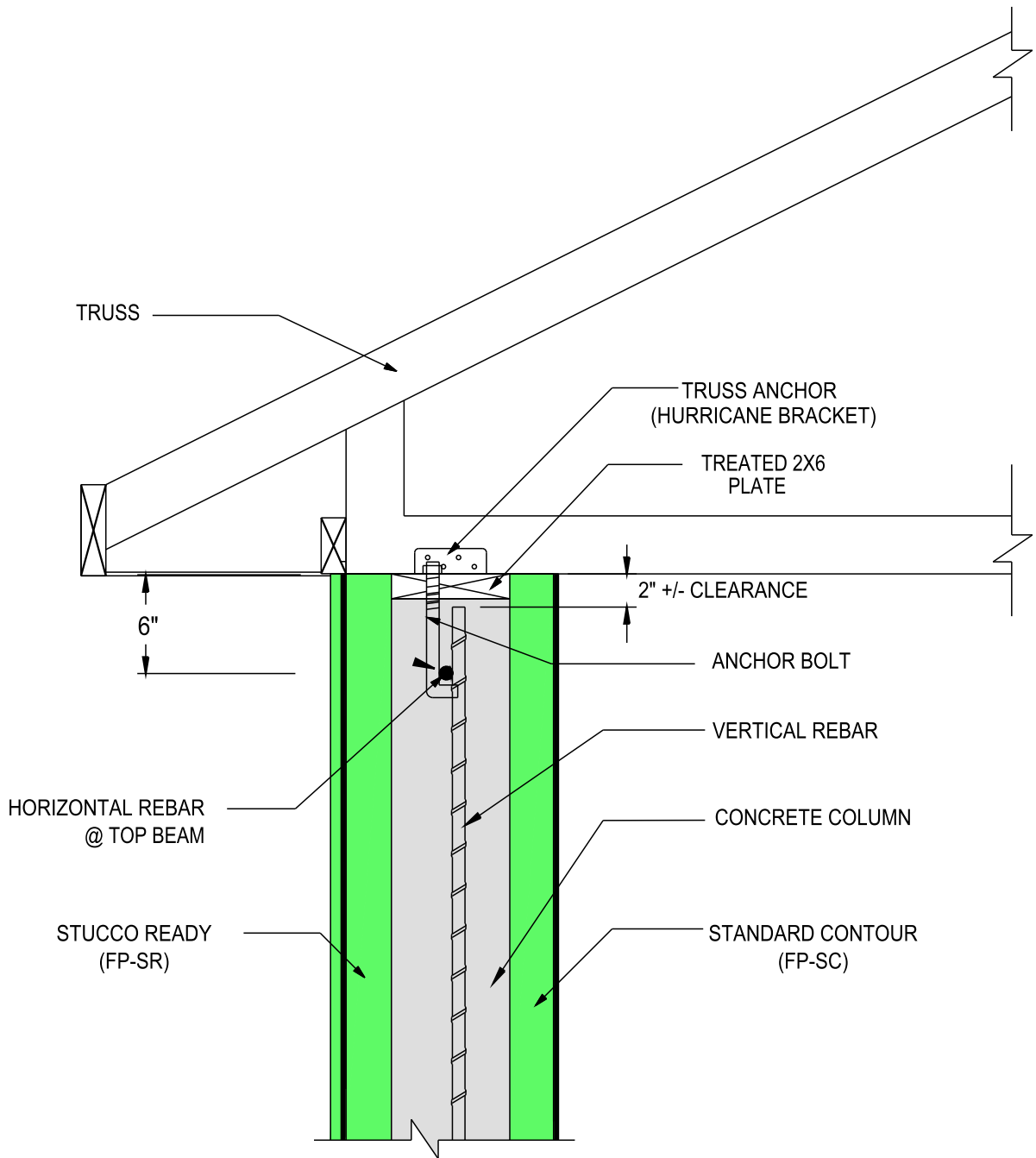
Tell: (515) 473-9255
 Fax: (515) 974-4399
 Toll free: 866-904-9255

All drawings and details shall be constructed in accordance with the local building code regulations, project engineering, and construction practices.

Design contained herein are protected by copyright, recipient acknowledges contents are property of Hobbs Building Systems, LLC., and shall be used only for construction purposes and not copied, used or reproduced, for any other purposes or projects without written permission from Hobbs Building Systems, LLC. 2009. Hobbs Building Systems, LLC reserves the right to make changes to the drawings/information shown without notice.

STUCCO READY DESIGN
 FOUNDATION TO TRUSS
 SECTION @
 COLUMN "A"

Date: 05/08/2009	Drawn By: S.K.V.	Scale: N.T.S.
Revision #: 1	DWG #: SR-50.12	
Revision Date: 02/19/2010		



VICF WALL TO TRUSS SECTION @ COLUMN "B"

NOTE: "DRAWINGS ARE EXAMPLES ONLY. REFER TO PROJECT ENGINEERING FOR EXACT SPECIFICATIONS, SUCH AS, REBAR SIZE AND PLACEMENT LOCATIONS"



Vertical ICF Wall System

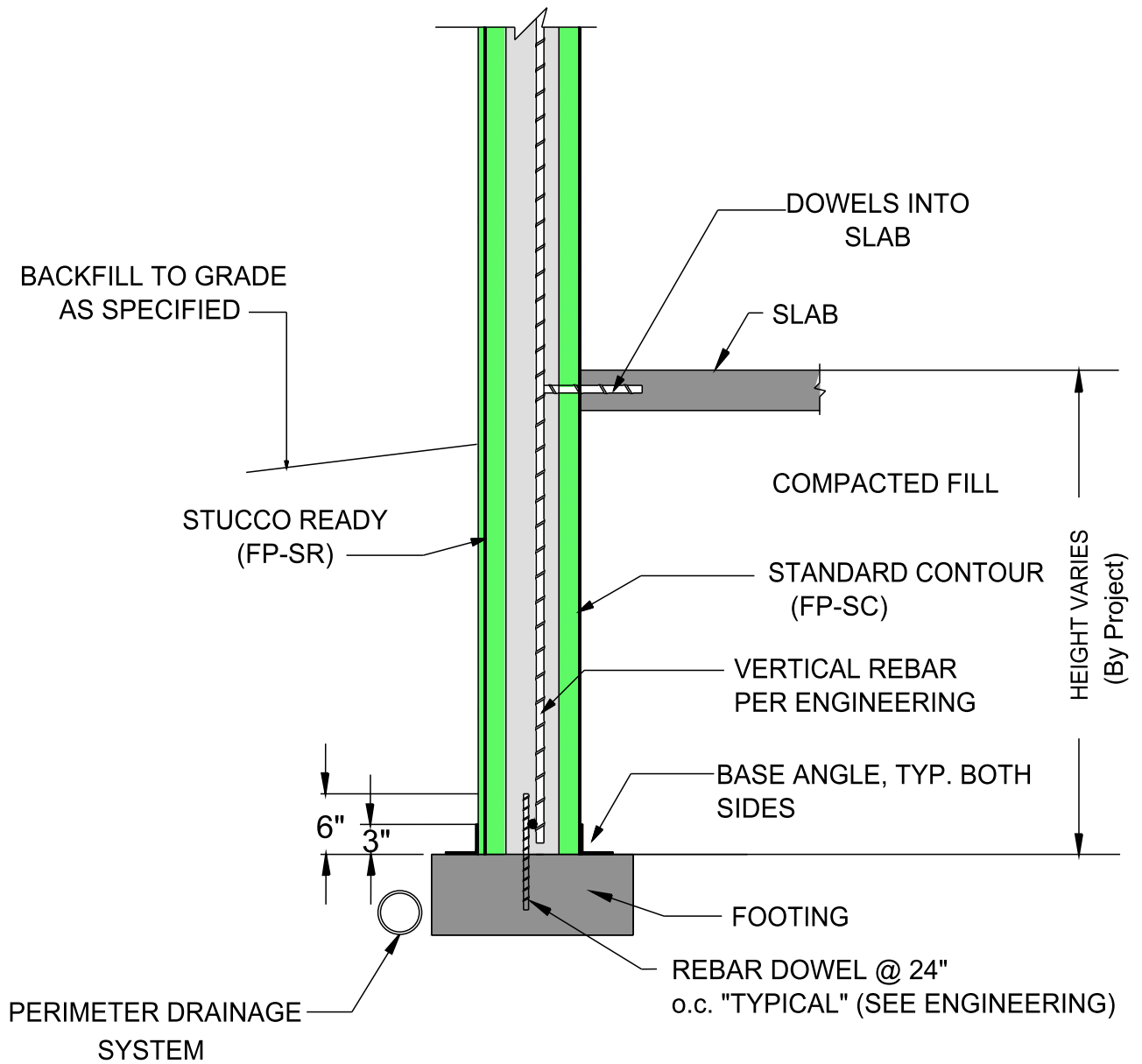
Tell: (515) 473-9255
Fax: (515) 974-4399
Toll free: 866-904-9255

All drawings and details shall be constructed in accordance with the local building code regulations, project engineering, and construction practices.

Design contained herein are protected by copyright, recipient acknowledges contents are property of Hobbs Building Systems, LLC., and shall be used only for construction purposes and not copied, used or reproduced, for any other purposes or projects without written permission from Hobbs Building Systems, LLC. all rights reserved. Hobbs Building Systems, LLC. 2009. Hobbs Building Systems, LLC reserves the right to make changes to the drawings/information shown without notice.

STUCCO READY DESIGN
FOUNDATION TO TRUSS
SECTION @
COLUMN "B"

Date: 05/08/2009	Drawn By: S.K.V.	Scale: N.T.S.
Revision #: 1	DWG #: SR-50.13	
Revision Date: 02/19/2010		



NOTE: "DRAWINGS ARE EXAMPLES ONLY. REFER TO PROJECT ENGINEERING FOR EXACT SPECIFICATIONS, SUCH AS, REBAR SIZE AND PLACEMENT LOCATIONS"



Vertical ICF Wall System

Tell: (515) 473-9255
 Fax: (515) 974-4399
 Toll free: 866-904-9255

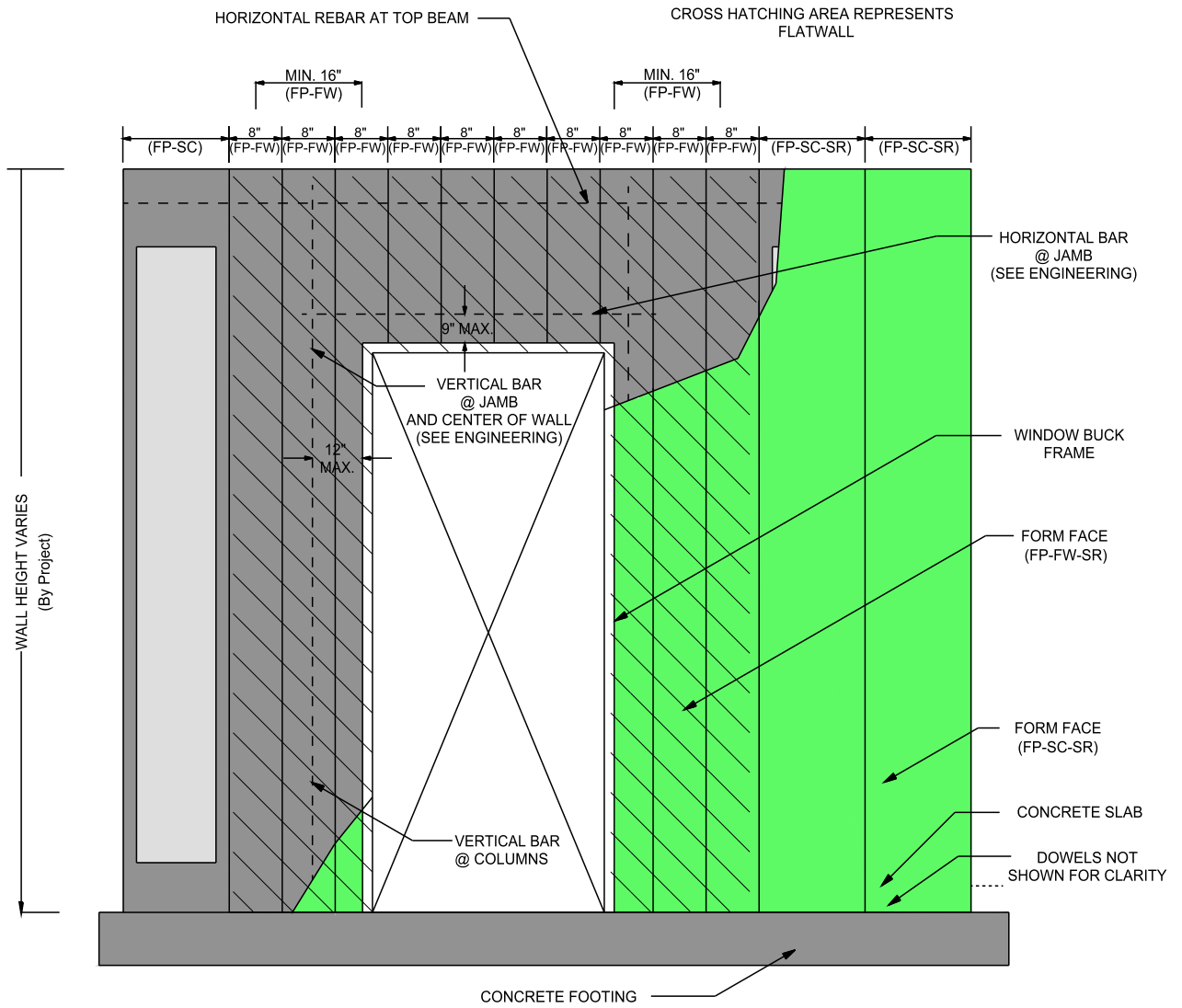
All drawings and details shall be constructed in accordance with the local building code regulations, project engineering, and construction practices.

Design contained herein are protected by copyright, recipient acknowledges contents are property of Hobbs Building Systems, LLC., and shall be used only for construction purposes and not copied, used or reproduced, for any other purposes or projects without written permission from Hobbs Building Systems, LLC. all rights reserved. Hobbs Building Systems, LLC. 2009. Hobbs Building Systems, LLC reserves the right to make changes to the drawings/information shown without notice.

STUCCO READY DESIGN

CONCRETE SLAB @ COLUMN

Date: 05/08/2009	Drawn By: S.K.V.	Scale: N.T.S.
Revision #: 1	DWG #: SR-50.14	
Revision Date: 02/19/2010		



NOTE: "DRAWINGS ARE EXAMPLES ONLY. REFER TO PROJECT ENGINEERING FOR EXACT SPECIFICATIONS, SUCH AS, REBAR SIZE AND PLACEMENT LOCATIONS"



Vertical ICF Wall System

Tell: (515) 473-9255
 Fax: (515) 974-4399
 Toll free: 866-904-9255

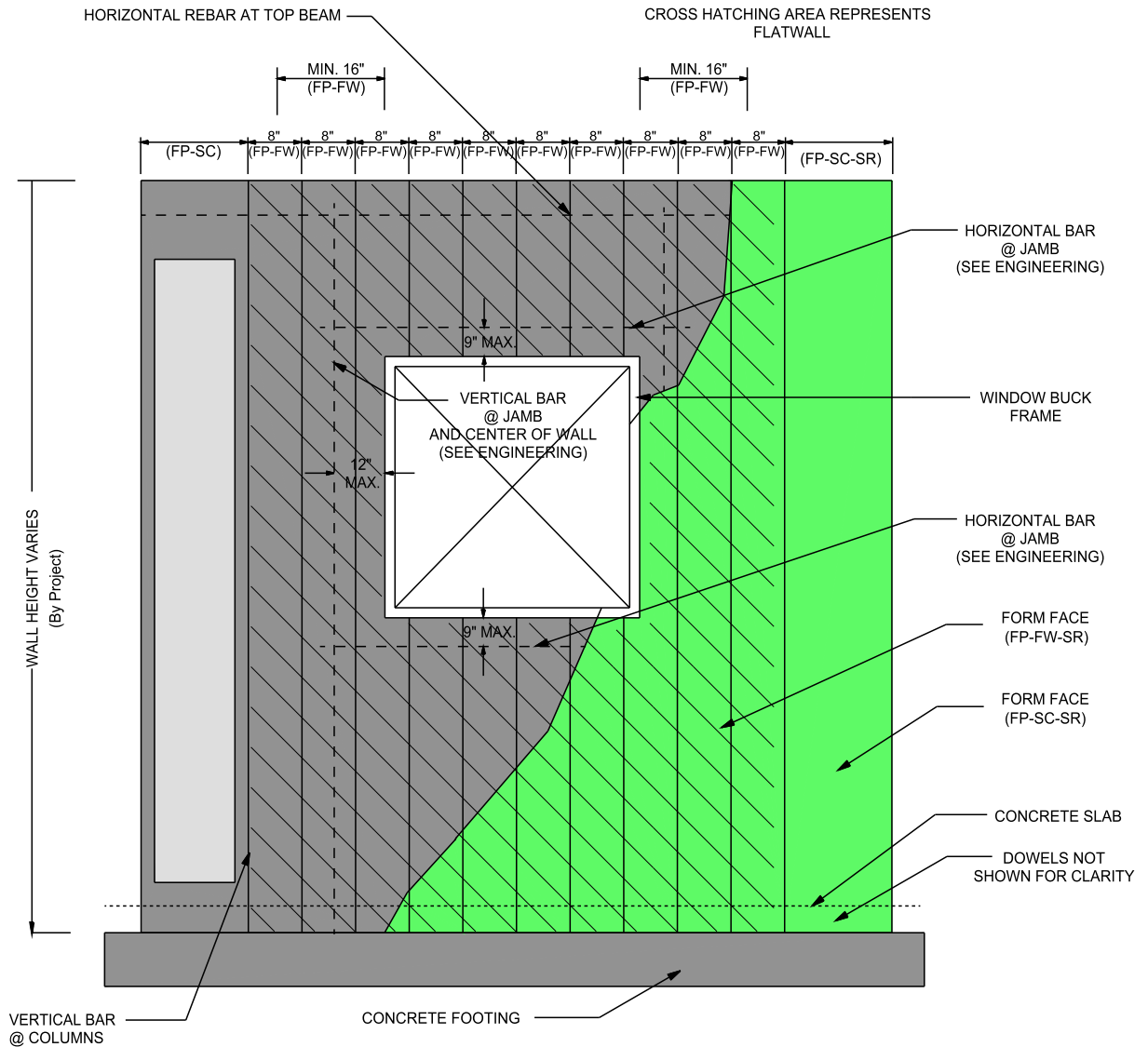
All drawings and details shall be constructed in accordance with the local building code regulations, project engineering, and construction practices.

Design contained herein are protected by copyright, recipient acknowledges contents are property of Hobbs Building Systems, LLC., and shall be used only for construction purposes and not copied, used or reproduced, for any other purposes or projects without written permission from Hobbs Building Systems, LLC. all rights reserved. Hobbs Building Systems, LLC. 2009. Hobbs Building Systems, LLC reserves the right to make changes to the drawings/information shown without notice.

STUCCO READY DESIGN

**TYPICAL DOOR
 DETAIL**

Date: 12/02/2009	Drawn By: S.K.V.	Scale: N.T.S.
Revision #: 1	DWG #: SR-70.00	
Revision Date: 01/11/2010		



NOTE: "DRAWINGS ARE EXAMPLES ONLY. REFER TO PROJECT ENGINEERING FOR EXACT SPECIFICATIONS, SUCH AS, REBAR SIZE AND PLACEMENT LOCATIONS"



Vertical ICF Wall System

Tell: (515) 473-9255
 Fax: (515) 974-4399
 Toll free: 866-904-9255

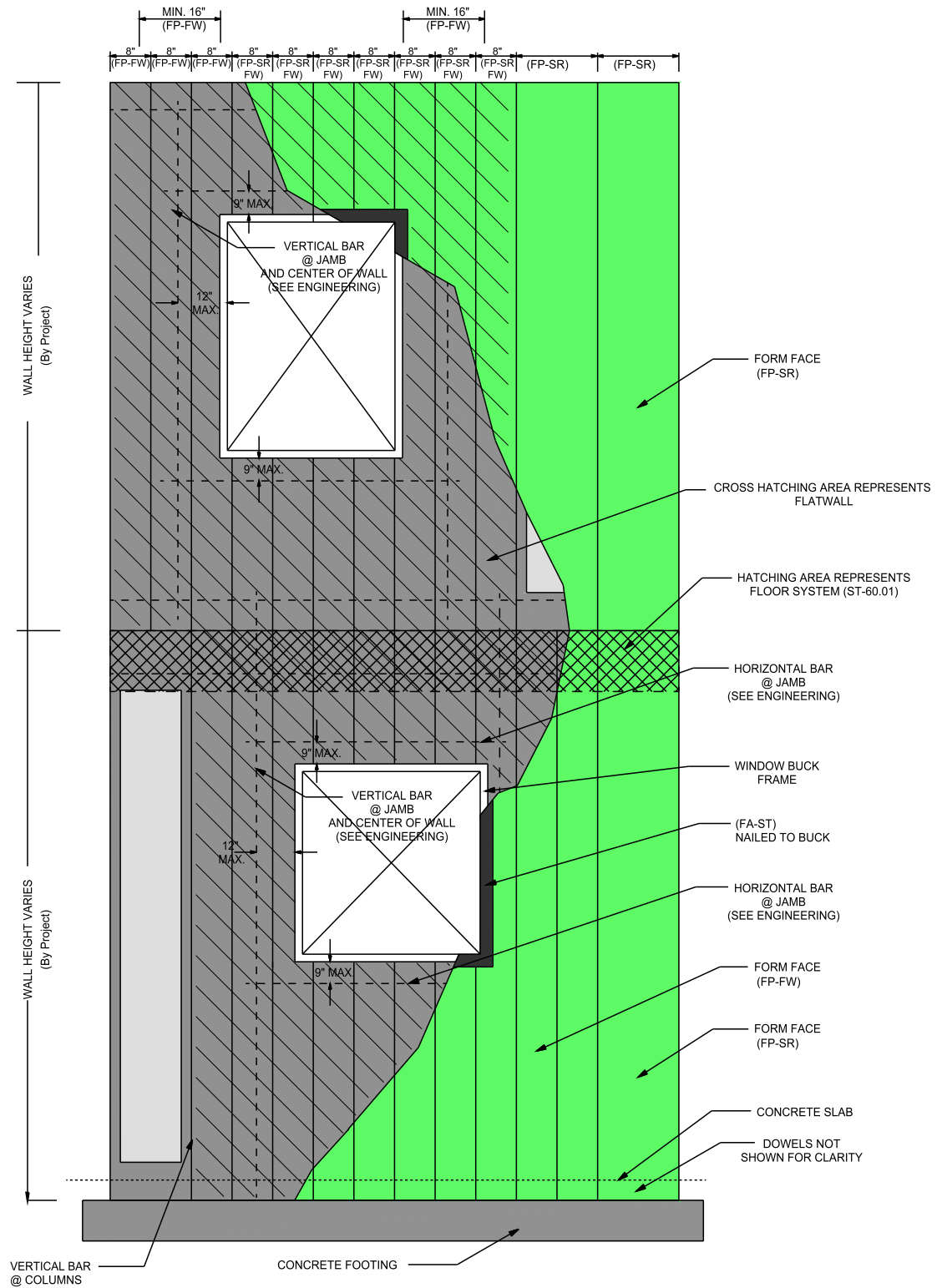
All drawings and details shall be constructed in accordance with the local building code regulations, project engineering, and construction practices.

Design contained herein are protected by copyright, recipient acknowledges contents are property of Hobbs Building Systems, LLC., and shall be used only for construction purposes and not copied, used or reproduced, for any other purposes or projects without written permission from Hobbs Building Systems, LLC. all rights reserved. Hobbs Building Systems, LLC. 2009. Hobbs Building Systems, LLC reserve the right to make changes to the drawings/information shown without notice.

STUCCO READY DESIGN

TYPICAL WINDOW DETAIL

Date: 12/02/2009	Drawn By: S.K.V.	Scale: N.T.S.
Revision #: 2	DWG #: SR-70.01	
Revision Date: 02/10/2010		



NOTE: "DRAWINGS ARE EXAMPLES ONLY. REFER TO PROJECT ENGINEERING FOR EXACT SPECIFICATIONS, SUCH AS, REBAR SIZE AND PLACEMENT LOCATIONS"



Vertical ICF Wall System

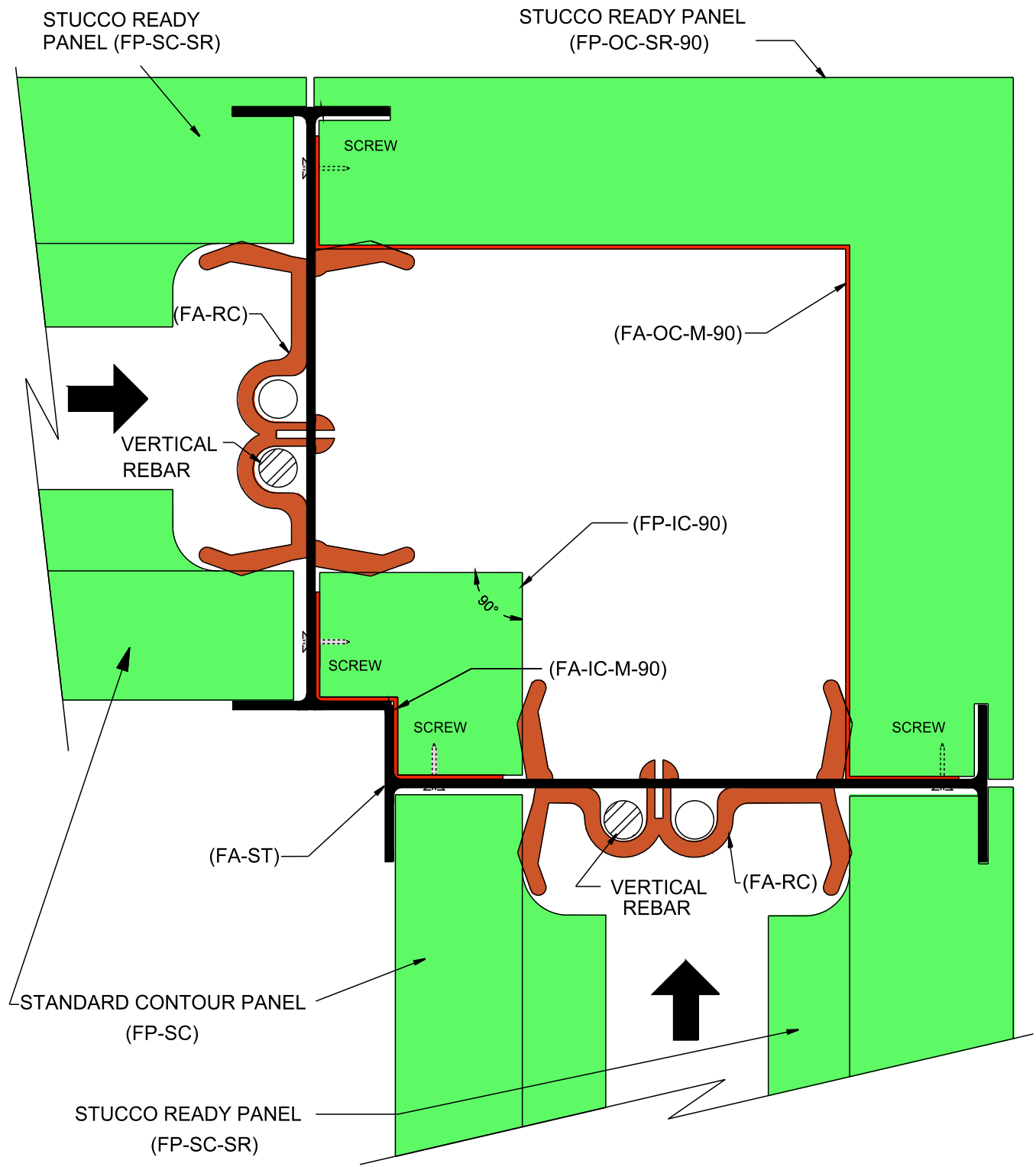
Tell: (515) 473-9255
 Fax: (515) 974-4399
 Toll free: 866-904-9255

All drawings and details shall be constructed in accordance with the local building code regulations, project engineering, and construction practices.

Design contained herein are protected by copyright, recipient acknowledges contents are property of Hobbs Building Systems, LLC., and shall be used only for construction purposes and not copied, used or reproduced, for any other purposes or projects without written permission from Hobbs Building Systems, LLC. all rights reserved. Hobbs Building Systems, LLC. 2009. Hobbs Building Systems, LLC reserves the right to make changes to the drawings/information shown without notice.

STUCCO READY DESIGN
TYPICAL STACKED WINDOW
DETAIL

Date: 12/02/2009	Drawn By: S.K.V.	Scale: N.T.S.
Revision #: 1	DWG #: SR-70.02	
Revision Date: 02/19/2010		



NOTE: "DRAWINGS ARE EXAMPLES ONLY. REFER TO PROJECT ENGINEERING FOR EXACT SPECIFICATIONS, SUCH AS, REBAR SIZE AND PLACEMENT LOCATIONS"



HOBBS

Vertical ICF Wall System

Tell: (515) 473-9255

Fax: (515) 974-4399

Toll free: 866-904-9255

All drawings and details shall be constructed in accordance with the local building code regulations, project engineering, and construction practices.

Design contained herein are protected by copyright, recipient acknowledges contents are property of Hobbs Building Systems, LLC., and shall be used only for construction purposes and not copied, used or reproduced, for any other purposes or projects without written permission from Hobbs Building Systems, LLC. all rights reserved. Hobbs Building Systems, LLC. 2009. Hobbs Building Systems, LLC reserves the right to make changes to the drawings/information shown without notice.

STUCCO READY DESIGN 90° CORNER DETAIL - PLAN VIEW

Date: 05/08/2009

Drawn By: S.K.V.

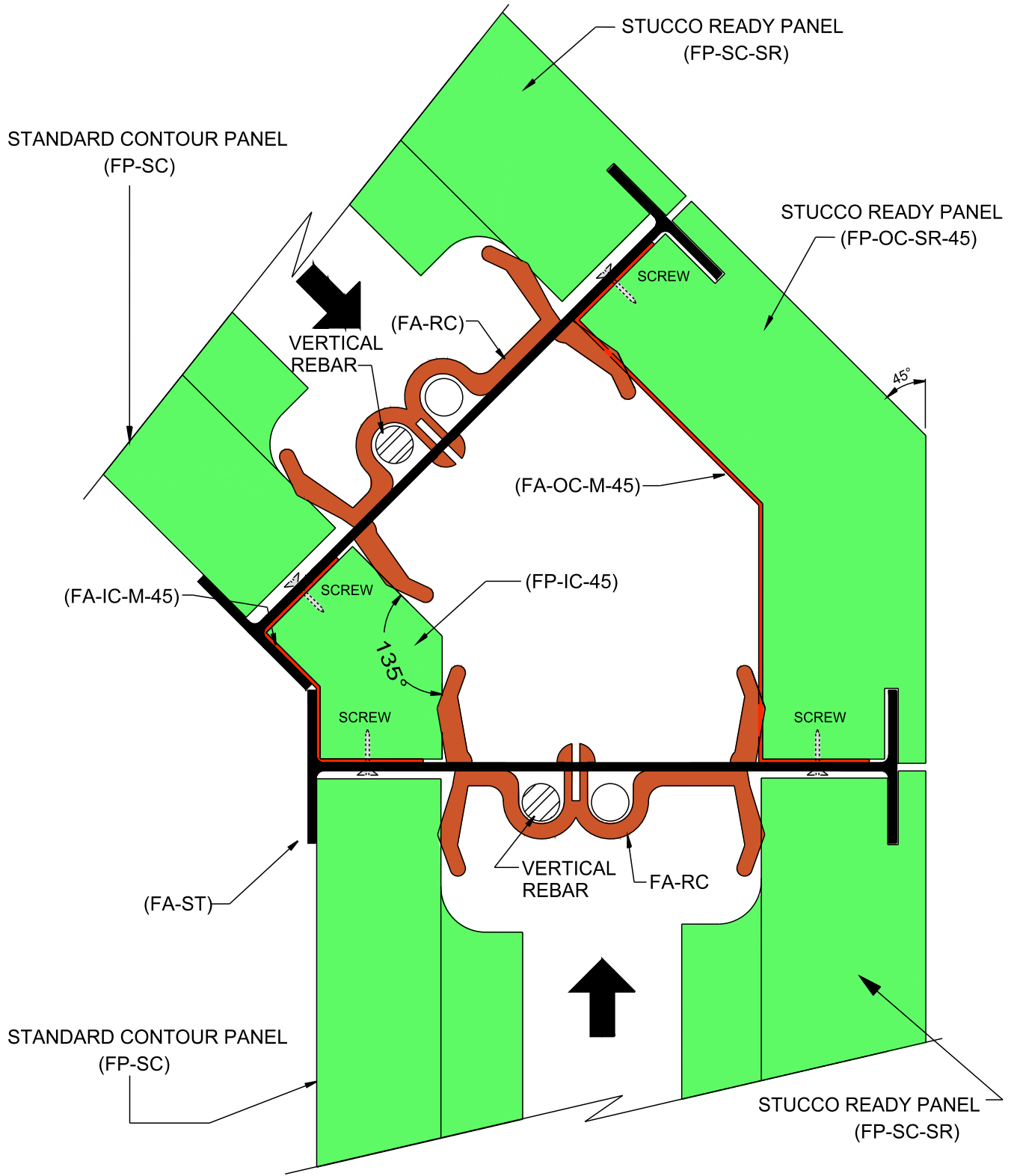
Scale: N.T.S.

Revision #: 2

DWG #:

Revision Date: 12/02/2009

SR-100.00



NOTE: "DRAWINGS ARE EXAMPLES ONLY. REFER TO PROJECT ENGINEERING FOR EXACT SPECIFICATIONS, SUCH AS, REBAR SIZE AND PLACEMENT LOCATIONS"



HOBBS

Vertical ICF Wall System

Tell: (515) 473-9255

Fax: (515) 974-4399

Toll free: 866-904-9255

All drawings and details shall be constructed in accordance with the local building code regulations, project engineering, and construction practices.

Design contained herein are protected by copyright, recipient acknowledges contents are property of Hobbs Building Systems, LLC., and shall be used only for construction purposes and not copied, used or reproduced, for any other purposes or projects without written permission from Hobbs Building Systems, LLC. all rights reserved. Hobbs Building Systems, LLC. 2009. Hobbs Building Systems, LLC reserves the right to make changes to the drawings/information shown without notice.

STUCCO READY DESIGN

45° CORNER DETAIL - PLAN VIEW

Date:
05/08/2009

Drawn By:
S.K.V.

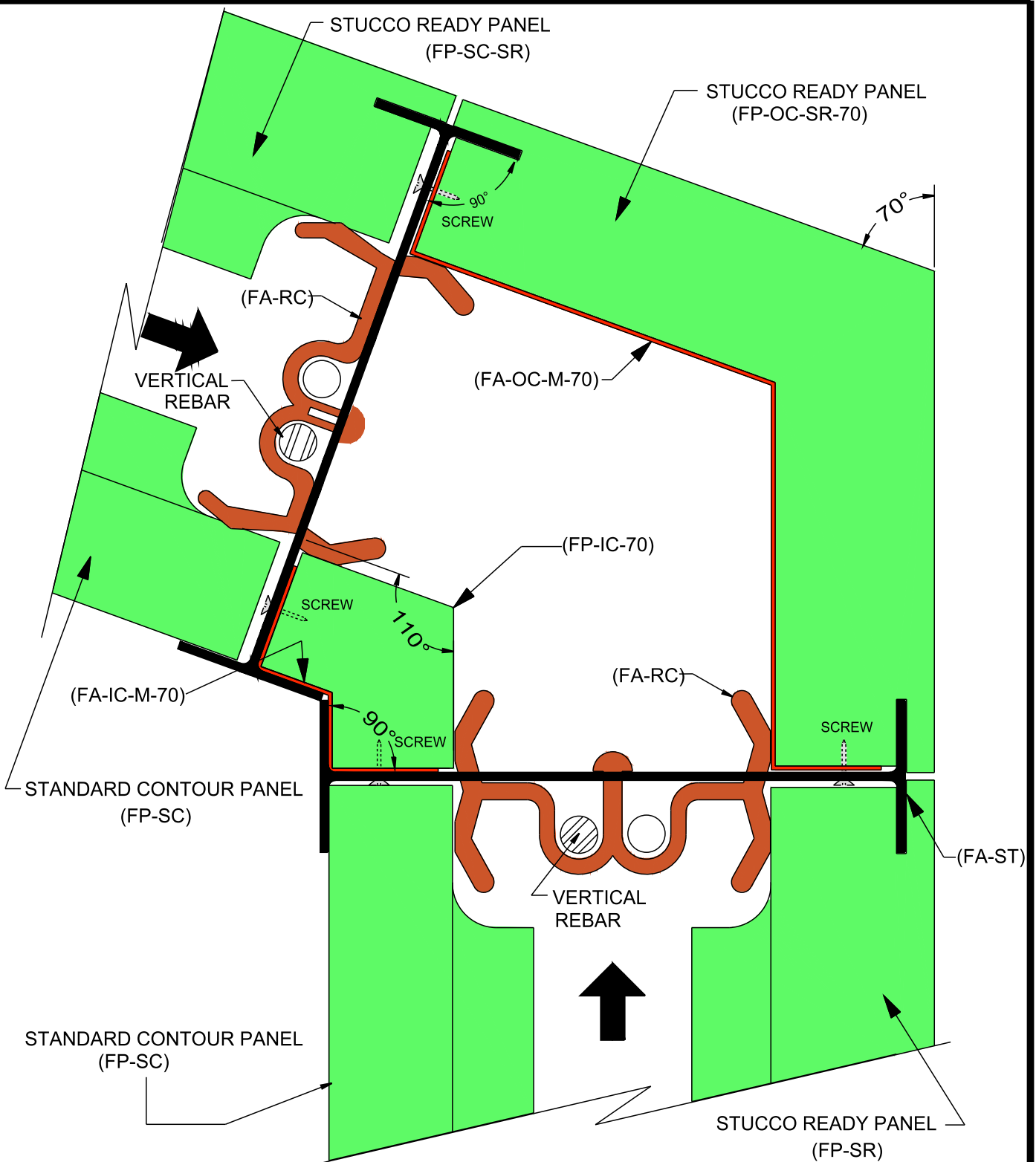
Scale:
N.T.S.

Revision #:
1

DWG #:

Revision Date:
12/02/2009

SR-100.01



NOTE: "DRAWINGS ARE EXAMPLES ONLY. REFER TO PROJECT ENGINEERING FOR EXACT SPECIFICATIONS, SUCH AS, REBAR SIZE AND PLACEMENT LOCATIONS"



HOBBS

Vertical ICF Wall System

Tell: (515) 473-9255

Fax: (515) 974-4399

Toll free: 866-904-9255

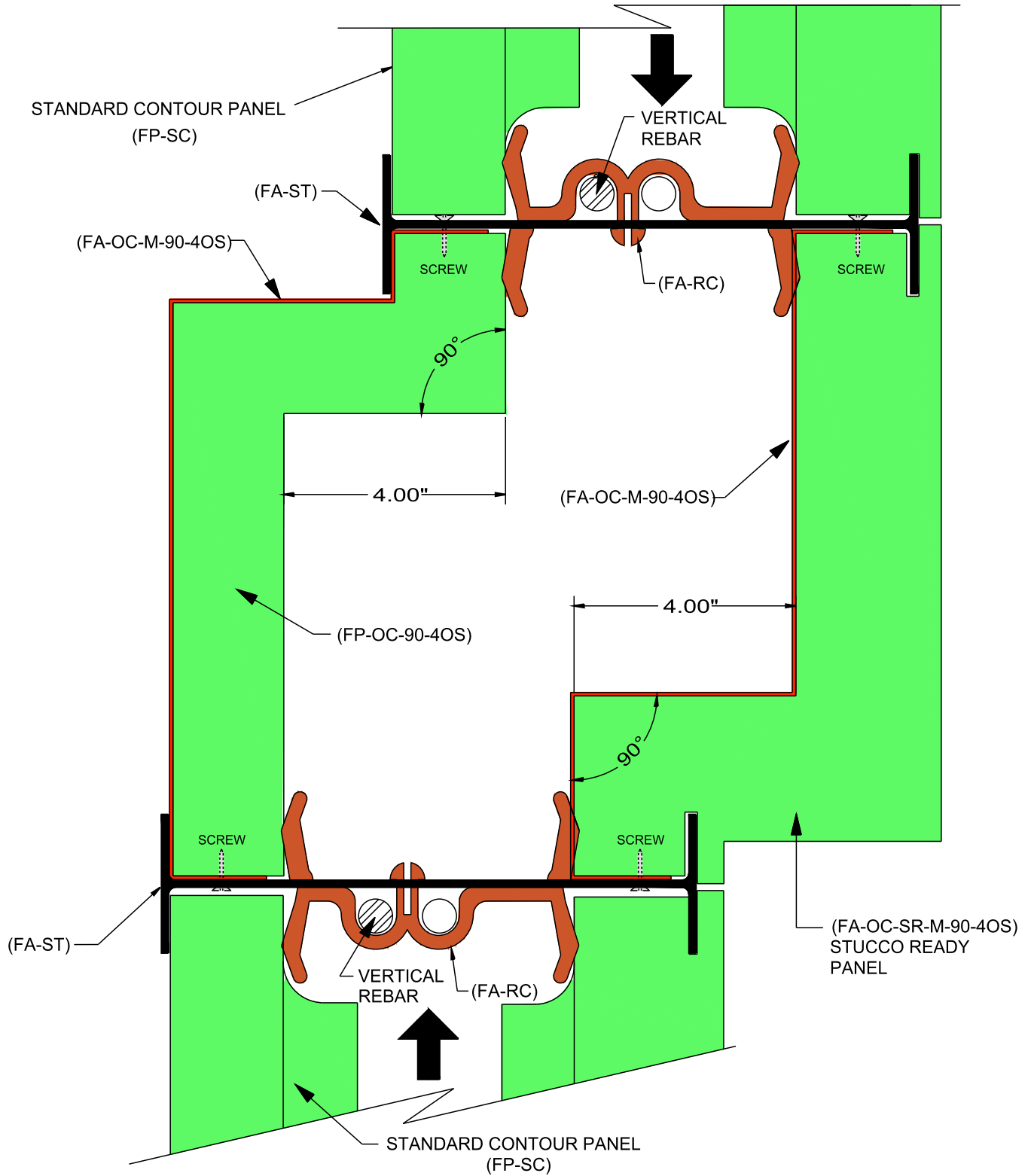
All drawings and details shall be constructed in accordance with the local building code regulations, project engineering, and construction practices.

Design contained herein are protected by copyright, recipient acknowledges contents are property of Hobbs Building Systems, LLC., and shall be used only for construction purposes and not copied, used or reproduced, for any other purposes or projects without written permission from Hobbs Building Systems, LLC. 2009. Hobbs Building Systems, LLC reserves the right to make changes to the drawings/information shown without notice.

STUCCO READY DESIGN

70° CORNER DETAIL - PLAN VIEW

Date: 05/08/2009	Drawn By: S.K.V.	Scale: N.T.S.
Revision #: 2	DWG #: SR-100.02	
Revision Date: 12/02/2009		



NOTE: "DRAWINGS ARE EXAMPLES ONLY. REFER TO PROJECT ENGINEERING FOR EXACT SPECIFICATIONS, SUCH AS, REBAR SIZE AND PLACEMENT LOCATIONS"



Vertical ICF Wall System

Tell: (515) 473-9255
Fax: (515) 974-4399
Toll free: 866-904-9255

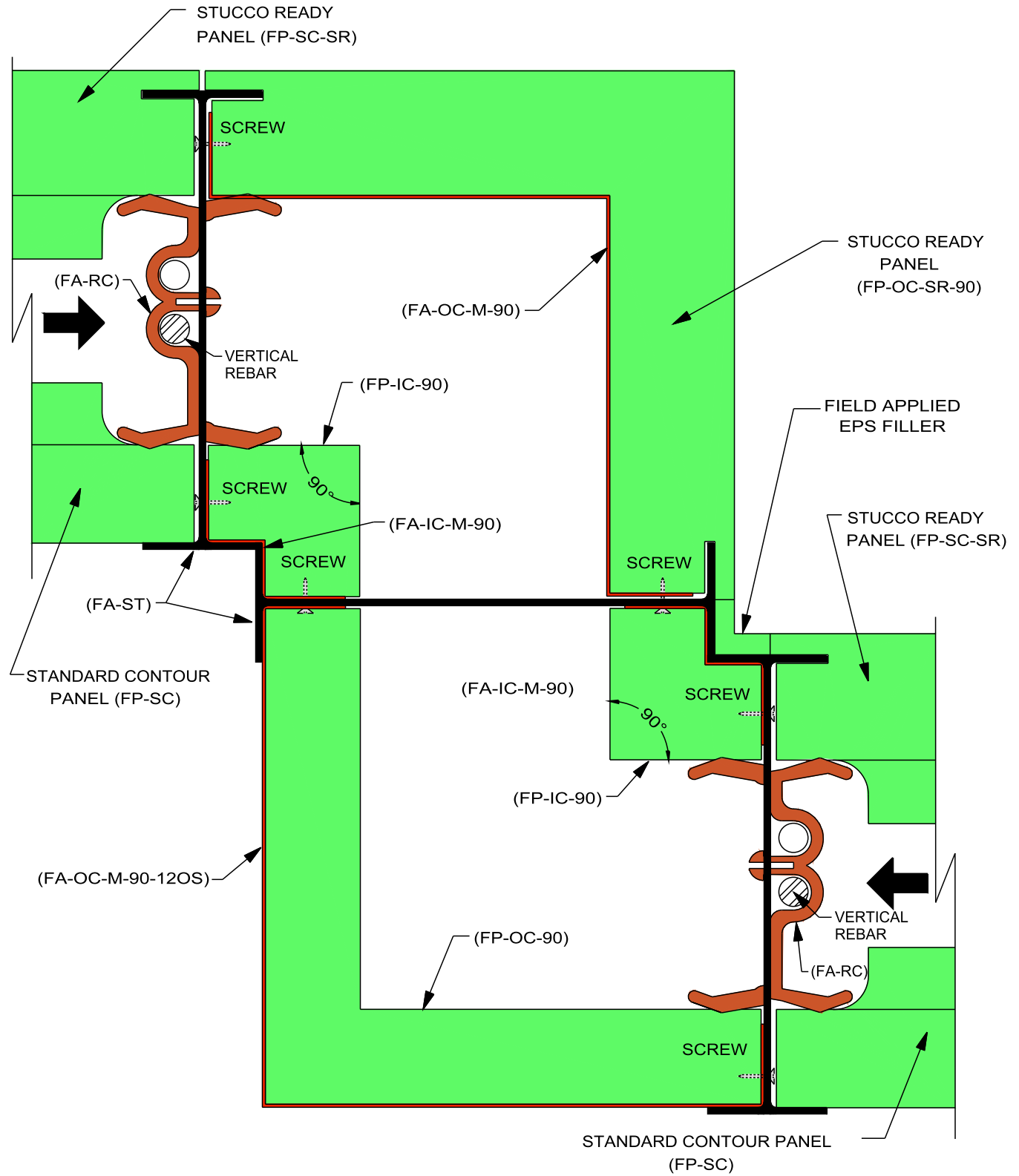
All drawings and details shall be constructed in accordance with the local building code regulations, project engineering, and construction practices.

Design contained herein are protected by copyright, recipient acknowledges contents are property of Hobbs Building Systems, LLC., and shall be used only for construction purposes and not copied, used or reproduced, for any other purposes or projects without written permission from Hobbs Building Systems, LLC. all rights reserved. Hobbs Building Systems, LLC. 2009. Hobbs Building Systems, LLC reserves the right to make changes to the drawings/information shown without notice.

STUCCO READY DESIGN

4" OFFSET CORNER
DETAIL - PLAN VIEW

Date: 05/08/2009	Drawn By: S.K.V.	Scale: N.T.S.
Revision #: 2	DWG #: SR-100.03	
Revision Date: 12/02/2009		



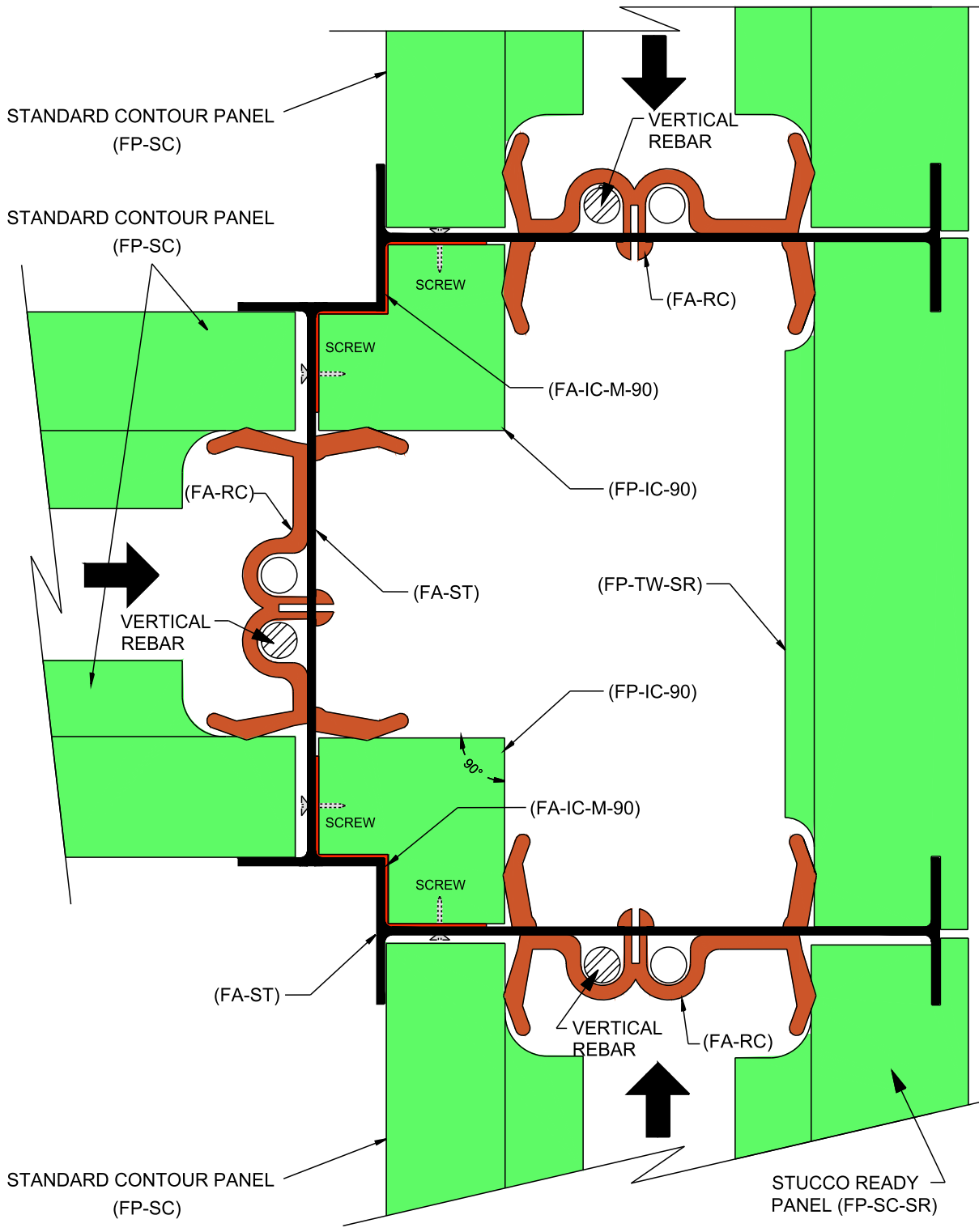
NOTE: "DRAWINGS ARE EXAMPLES ONLY. REFER TO PROJECT ENGINEERING FOR EXACT SPECIFICATIONS, SUCH AS, REBAR SIZE AND PLACEMENT LOCATIONS"

HOBBS
Vertical ICF Wall System
Toll: (515) 473-9255
Fax: (515) 974-4399
Toll free: 866-904-9255

All drawings and details shall be constructed in accordance with the local building code regulations, project engineering, and construction practices.
Design contained herein are protected by copyright, recipient acknowledges contents are property of Hobbs Building Systems, LLC., and shall be used only for construction purposes and not copied, used or reproduced, for any other purposes or projects without written permission from Hobbs Building Systems, LLC. all rights reserved. Hobbs Building Systems, LLC. 2009. Hobbs Building Systems, LLC reserves the right to make changes to the drawings/information shown without notice.

STUCCO READY DESIGN
12" OFFSET CORNER
DETAIL - PLAN VIEW

Date: 05/08/2009	Drawn By: S.K.V.	Scale: N.T.S.
Revision #: 2	DWG #: SR-100.04	
Revision Date: 12/02/2009		



NOTE: "DRAWINGS ARE EXAMPLES ONLY. REFER TO PROJECT ENGINEERING FOR EXACT SPECIFICATIONS, SUCH AS, REBAR SIZE AND PLACEMENT LOCATIONS"



Vertical ICF Wall System

Tell: (515) 473-9255
Fax: (515) 974-4399
Toll free: 866-904-9255

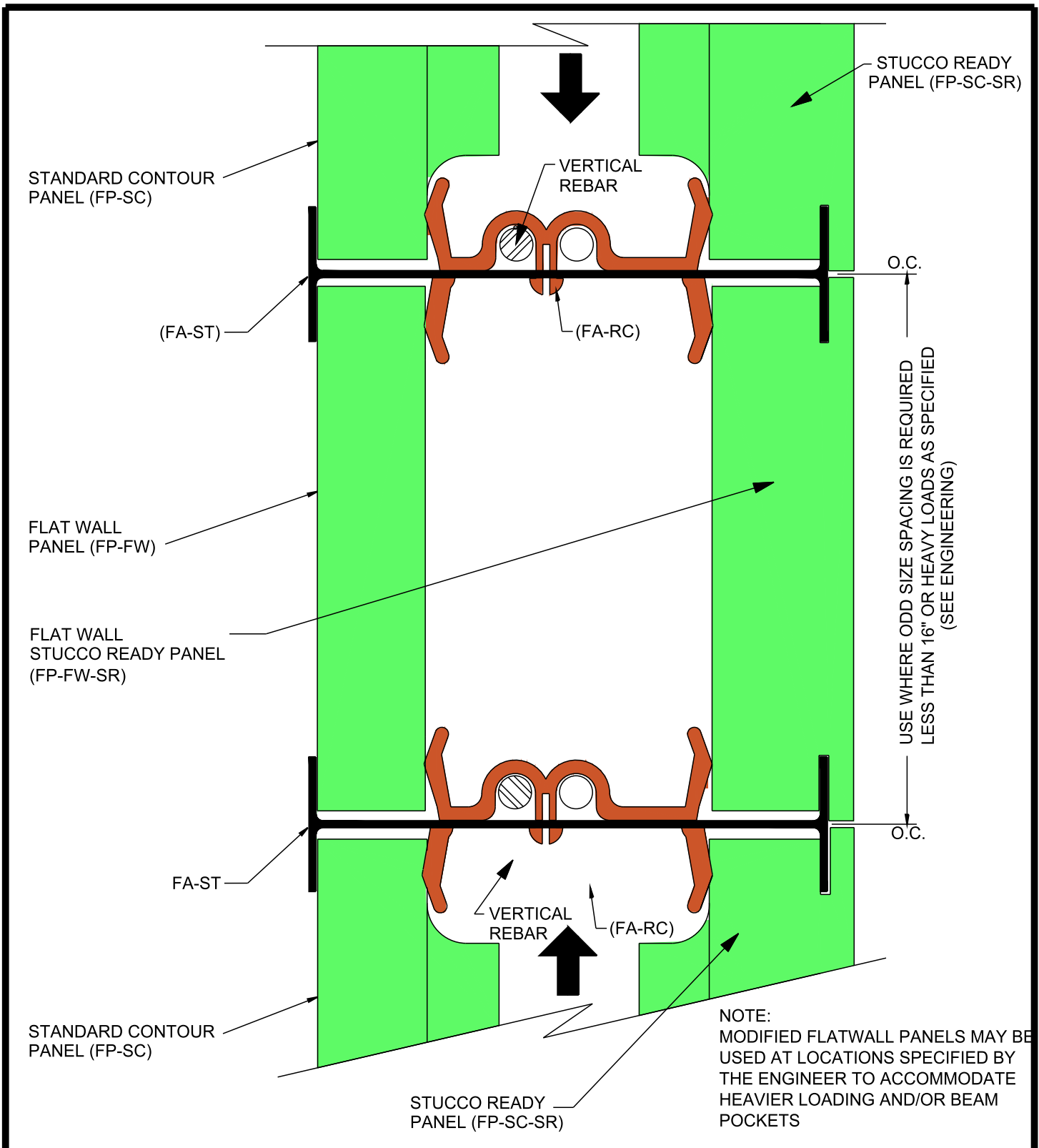
All drawings and details shall be constructed in accordance with the local building code regulations, project engineering, and construction practices.

Design contained herein are protected by copyright, recipient acknowledges contents are property of Hobbs Building Systems, LLC., and shall be used only for construction purposes and not copied, used or reproduced, for any other purposes or projects without written permission from Hobbs Building Systems, LLC. all rights reserved. Hobbs Building Systems, LLC. 2009. Hobbs Building Systems, LLC reserves the right to make changes to the drawings/information shown without notice.

STUCCO READY DESIGN

TEE WALL DETAIL - PLAN VIEW

Date: 05/08/2009	Drawn By: S.K.V.	Scale: N.T.S.
Revision #: 2	DWG #: SR-100.05	
Revision Date: 12/02/2009		



NOTE: "DRAWINGS ARE EXAMPLES ONLY. REFER TO PROJECT ENGINEERING FOR EXACT SPECIFICATIONS, SUCH AS, REBAR SIZE AND PLACEMENT LOCATIONS"



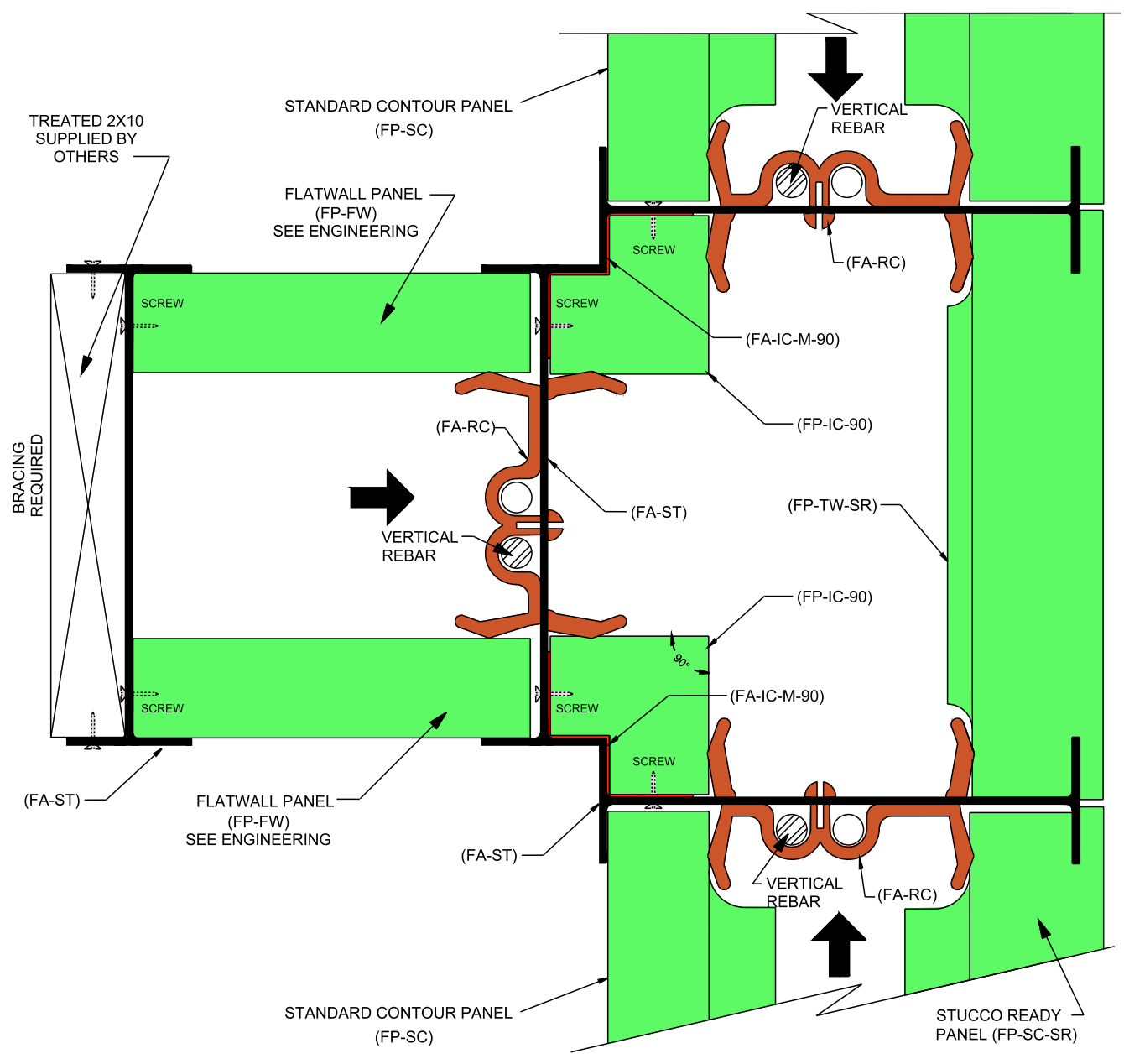
Vertical ICF Wall System
 Tell: (515) 473-9255
 Fax: (515) 974-4399
 Toll free: 866-904-9255

All drawings and details shall be constructed in accordance with the local building code regulations, project engineering, and construction practices.

Design contained herein are protected by copyright, recipient acknowledges contents are property of Hobbs Building Systems, LLC., and shall be used only for construction purposes and not copied, used or reproduced, for any other purposes or projects without written permission from Hobbs Building Systems, LLC. all rights reserved. Hobbs Building Systems, LLC. 2009. Hobbs Building Systems, LLC reserves the right to make changes to the drawings/information shown without notice.

STUCCO READY DESIGN
FLATWALL
WALL DETAIL - PLAN VIEW

Date: 05/08/2009	Drawn By: S.K.V.	Scale: N.T.S.
Revision #: 3	DWG #: SR-100.06	
Revision Date: 02/10/2010		



NOTE: "DRAWINGS ARE EXAMPLES ONLY. REFER TO PROJECT ENGINEERING FOR EXACT SPECIFICATIONS, SUCH AS, REBAR SIZE AND PLACEMENT LOCATIONS"



Vertical ICF Wall System

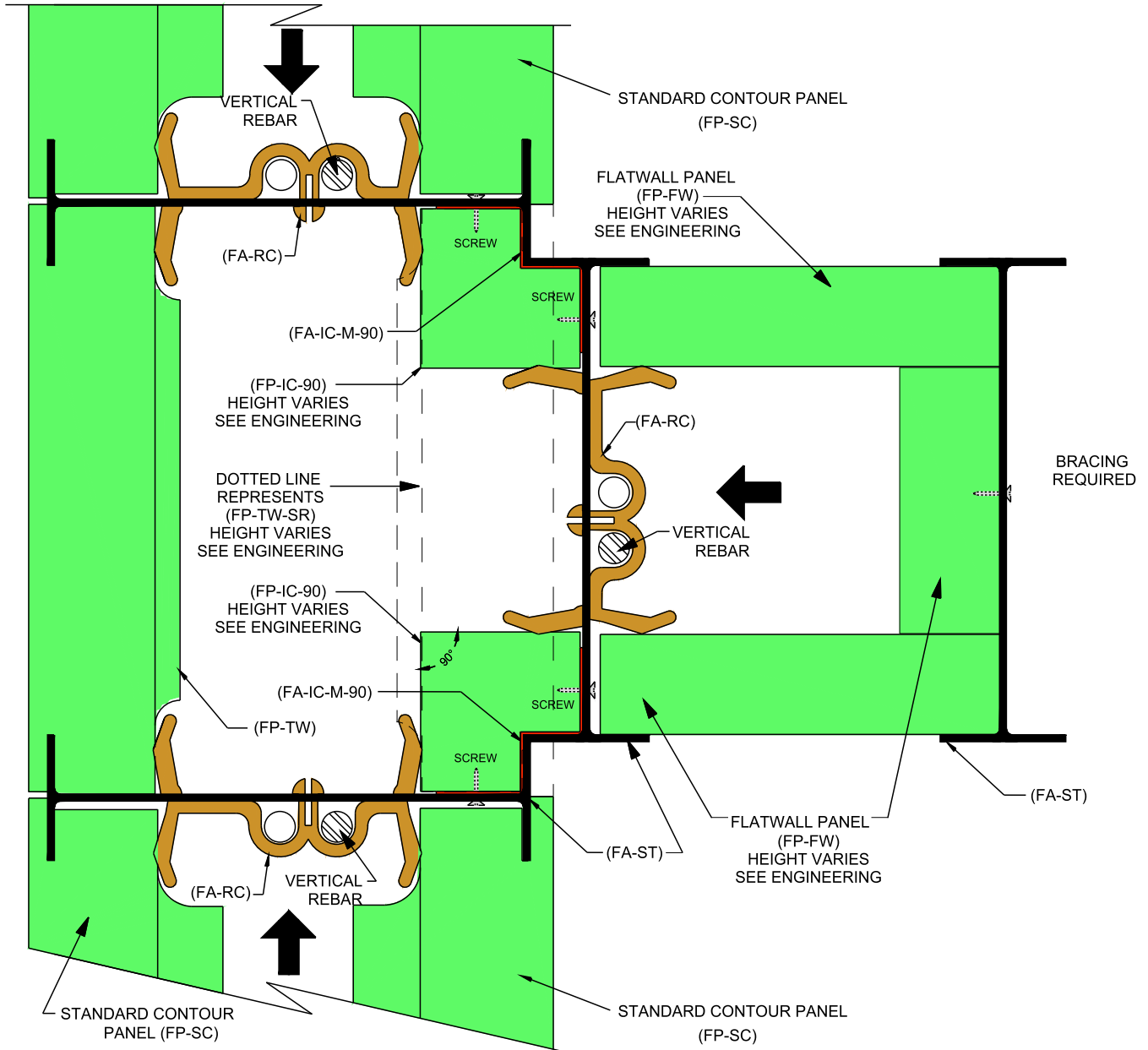
Tell: (515) 473-9255
 Fax: (515) 974-4399
 Toll free: 866-904-9255

All drawings and details shall be constructed in accordance with the local building code regulations, project engineering, and construction practices.

Design contained herein are protected by copyright, recipient acknowledges contents are property of Hobbs Building Systems, LLC., and shall be used only for construction purposes and not copied, used or reproduced, for any other purposes or projects without written permission from Hobbs Building Systems, LLC. all rights reserved. Hobbs Building Systems, LLC. 2009. Hobbs Building Systems, LLC reserves the right to make changes to the drawings/information shown without notice.

STUCCO READY DESIGN
FULL HEIGHT
INTERIOR PILASTER
- PLAN VIEW

Date: 05/08/2009	Drawn By: S.K.V.	Scale: N.T.S.
Revision #: 1	DWG #:	
Revision Date: 02/19/2010	SR-100.07	



NOTE: "DRAWINGS ARE EXAMPLES ONLY. REFER TO PROJECT ENGINEERING FOR EXACT SPECIFICATIONS, SUCH AS, REBAR SIZE AND PLACEMENT LOCATIONS"



Vertical ICF Wall System

Tell: (515) 473-9255
Fax: (515) 974-4399
Toll free: 866-904-9255

All drawings and details shall be constructed in accordance with the local building code regulations, project engineering, and construction practices.

Design contained herein are protected by copyright, recipient acknowledges contents are property of Hobbs Building Systems, LLC., and shall be used only for construction purposes and not copied, used or reproduced, for any other purposes or projects without written permission from Hobbs Building Systems, LLC. all rights reserved. Hobbs Building Systems, LLC. 2009, Hobbs Building Systems, LLC reserves the right to make changes to the drawings/information shown without notice.

STUCCO READY DESIGN EXTERIOR BUTTRUSS - PLAN VIEW

Date: 05/08/2009	Drawn By: S.K.V.	Scale: N.T.S.
Revision #: 1	DWG #: SR-100.08	
Revision Date: 02/19/2010		